

DC FAN

MODEL NUMBER DESCRIPTION

(FOR EXAMPLE : 8025M12S-TF5)

	80	25	M	12	S	-	T	F	5
FAN TYPE	FRAME DIMENSION	FRAME THICKNESS	MOTOR SPEED	RATED VOLTAGE	BEARING TYPE	PROTECTION DEVICE	FUNCTION	ELECTRICAL OPTIONS	FRAME AND BLADE COMBINATIONS
Blank : DC FAN	25 : 25x25 mm	07 : 7 mm	LL : SUPER LOW SPEED	03 : 3.3 VDC	S : SLEEVE BEARING	- : WITH PROTECTION DEVICE	N : NORMAL	D : NORMAL	
	30 : 30x30 mm	08 : 8 mm		05 : 5 VDC					
B : BLOWER FAN	40 : 40x40 mm	10 : 10 mm	L : LOW SPEED	12 : 12 VDC	C : ONE BALL & SLEEVE BEARING	: WITHOUT PROTECTION DEVICE	T : TEMPERATURE CONTROL	F : FG 4 POLES	
	60 : 60x60 mm	25 : 25 mm	H : HIGH SPEED		F : LONG LIFE BEARING		W : HIGH HUMIDITY RESISTANCE LEVEL 1	L : RD / ALARM LOW	
	70 : 70x70 mm	28 : 28 mm	HH : SUPER HIGH SPEED				X : IP54 DUST AND WATER PROOF, LEVEL 2		
	75 : 75x75 mm	30 : 30 mm							
	80 : 80x80 mm	33 : 33mm	TH : TRIPLE HIGH SPEED				Y : DUST AND WATER PROOF, LEVEL 3		
	92 : 92x92 mm	38 : 38 mm	FH : FOURFOLD HIGH SPEED				Z : DUST AND WATER PROOF, LEVEL 4		
	92 : 97x97 mm								
	12 : 120x120 mm						O : OTHER OPTIONS		

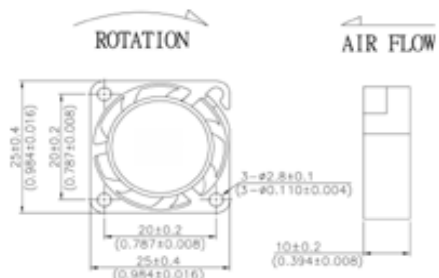
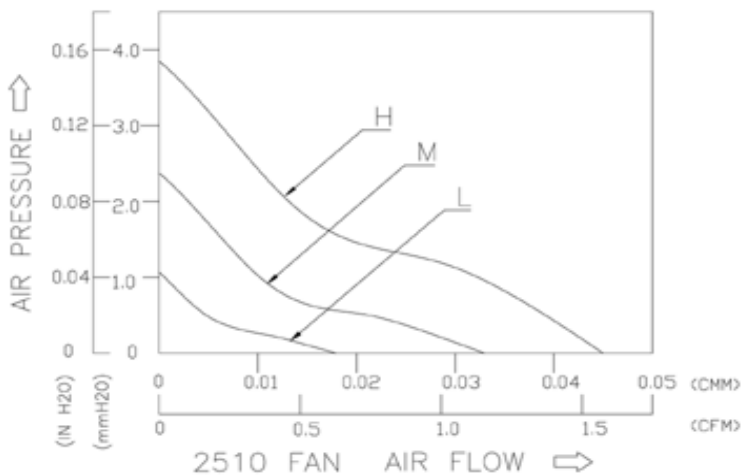
DETAIL INFORMATION IS AVAILABLE UPON YOUR REQUEST

25 * 25 * 10 mm



MODEL NO	RATED VOLTAGE V	OPERATING VOLTAGE V	RATED CURRENT A	ACTUAL CURRENT A	RATED POWER W	RATED SPEED RPM	MAX. AIR FLOW		MAX. STATIC AIR PRESSURE		NOISE LEVEL dBA
							CMM	CFM	mmH2O	InH2O	
2510L03S/C/B/F	3.3	3.1~3.6	0.18	0.18	0.59	7000	0.018	0.64	1.07	0.042	19.3
2510M03S/C/B/F	3.3	3.1~3.6	0.24	0.18	0.79	10000	0.033	1.18	2.37	0.093	21.7
2510H03S/C/B/F	3.3	3.1~3.6	0.3	0.27	0.99	13000	0.045	1.58	3.87	0.152	27.5
2510L05S/C/B/F	5	4.7~5.5	0.14	0.09	0.7	7000	0.018	0.64	1.07	0.042	19.3
2510M05S/C/B/F	5	4.7~5.5	0.17	0.16	0.85	10000	0.033	1.18	2.37	0.093	21.7
2510H05S/C/B/F	5	4.7~5.5	0.2	0.2	1	13000	0.045	1.58	3.87	0.152	27.5
2510L12S/C/B/F	12	11~13.8	0.08	0.07	0.96	7000	0.018	0.64	1.07	0.042	19.3
2510M12S/C/B/F	12	9.5~13.8	0.11	0.11	1.32	10000	0.033	1.18	2.37	0.093	21.7
2510H12S/C/B/F	12	9.5~13.8	0.14	0.11	1.68	13000	0.045	1.58	3.87	0.152	27.5

CHARACTERISTIC CURVE



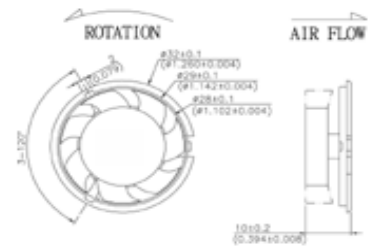
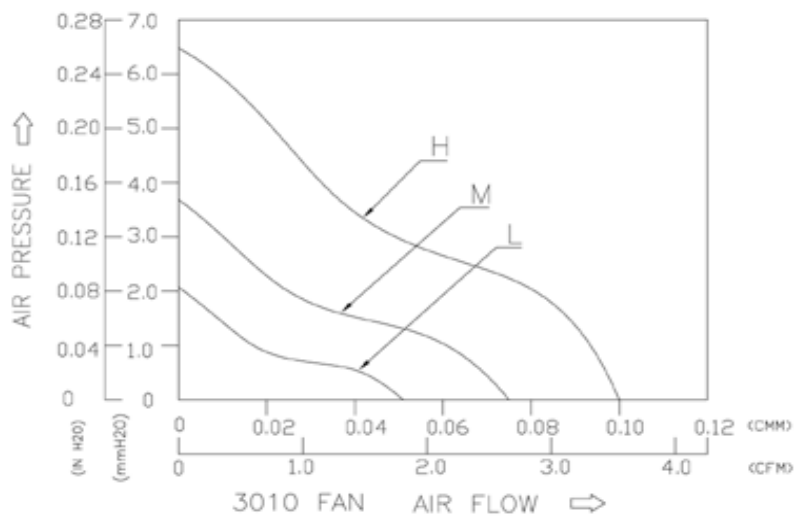
UNIT: $\frac{MM}{(INCH)}$

30 * 30 * 10 mm

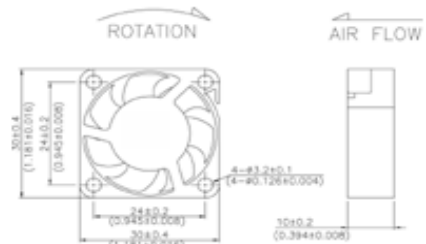


MODEL NO	RATED VOLTAGE	G VOLTAGE	RATED CURRENT	ACTUAL CURRENT	RATED POWER	RATED SPEED	MAX. AIR FLOW		MAX. STATIC AIR PRESSURE		NOISE LEVEL
	V	V	A	A	W	RPM	CMM	CFM	mmH2O	InH2O	
3010L03S/C/B/F	3.3	3.1~3.6	0.18	0.15	0.59	6000	0.051	1.81	2.08	0.082	19.8
3010M03S/C/B/F	3.3	3.1~3.6	0.24	0.21	0.79	8500	0.075	2.66	3.69	0.145	24.3
3010H03S/C/B/F	3.3	3.1~3.6	0.3	0.28	0.99	11000	0.1	3.54	6.48	0.255	31.3
3010L05S/C/B/F	5	4.7~5.5	0.14	0.1	0.7	6000	0.051	1.81	2.08	0.082	19.8
3010M05S/C/B/F	5	4.7~5.5	0.17	0.14	0.85	8500	0.075	2.66	3.69	0.145	24.3
3010H05S/C/B/F	5	4.7~5.5	0.2	0.18	1	11000	0.1	3.54	6.48	0.255	31.3
3010L12S/C/B/F	12	11~13.8	0.08	0.05	0.96	6000	0.051	1.81	2.08	0.082	19.8
3010M12S/C/B/F	12	9.5~13.8	0.11	0.08	1.32	8500	0.075	2.66	3.69	0.145	24.3
3010H12S/C/B/F	12	9.5~13.8	0.14	0.11	1.68	11000	0.1	3.54	6.48	0.255	31.3

CHARACTERISTIC CURVE



UNIT: MM (INCH)



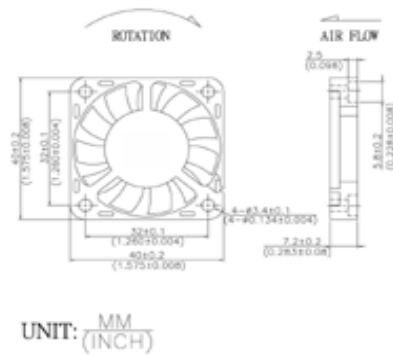
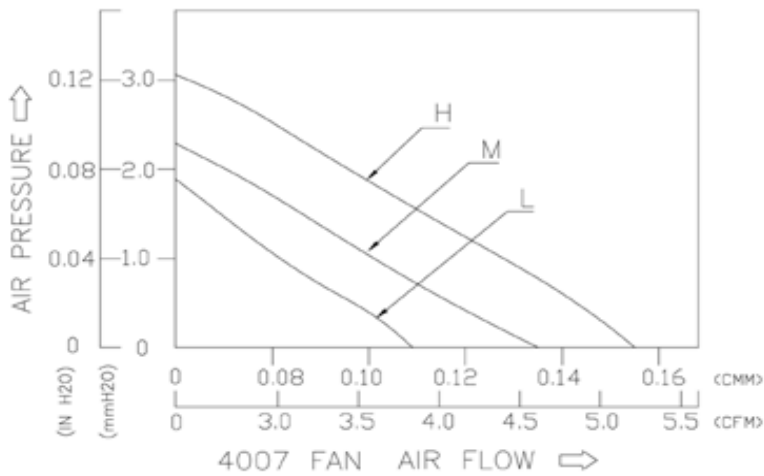
UNIT: MM (INCH)

40 * 40 * 07 mm

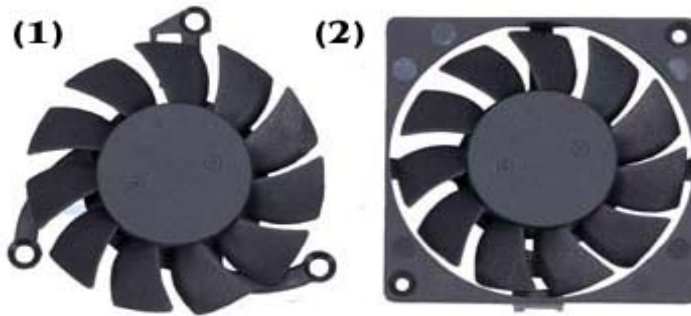


MODEL NO	RATED VOLTAGE	OPERATING VOLTAGE	RATED CURRENT	ACTUAL CURRENT	RATED POWER	RATED SPEED	MAX. AIR FLOW		MAX. STATIC AIR PRESSURE		NOISE LEVEL
	V	V	A	A	W	RPM	CMM	CFM	mmH2O	InH2O	dBA
4007L05S/C/B/F	5	4.7~5.5	0.14	0.12	0.7	5000	0.109	3.85	1.86	0.073	25.1
4007M05S/C/B/F	5	4.7~5.5	0.2	0.17	1	6000	0.135	4.77	2.29	0.09	30.7
4007H05S/C/B/F	5	4.7~5.5	0.26	0.26	1.3	7000	0.155	5.47	3.06	0.12	33
4007L12S/C/B/F	12	11~13.8	0.08	0.07	0.96	5000	0.109	3.85	1.86	0.073	25.1
4007M12S/C/B/F	12	9.5~13.8	0.12	0.1	1.44	6000	0.135	4.77	2.29	0.09	30.7
4007H12S/C/B/F	12	9.5~13.8	0.16	0.13	1.92	7000	0.155	5.47	3.06	0.12	33

CHARACTERISTIC CURVE

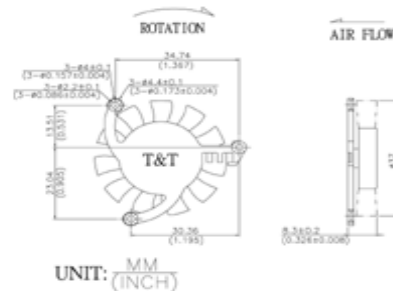
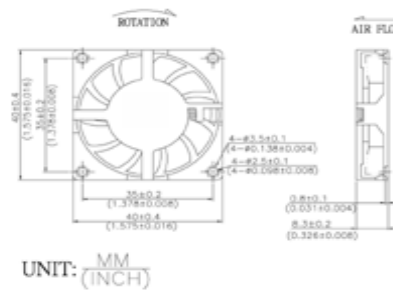
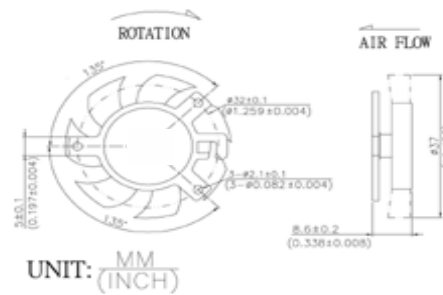
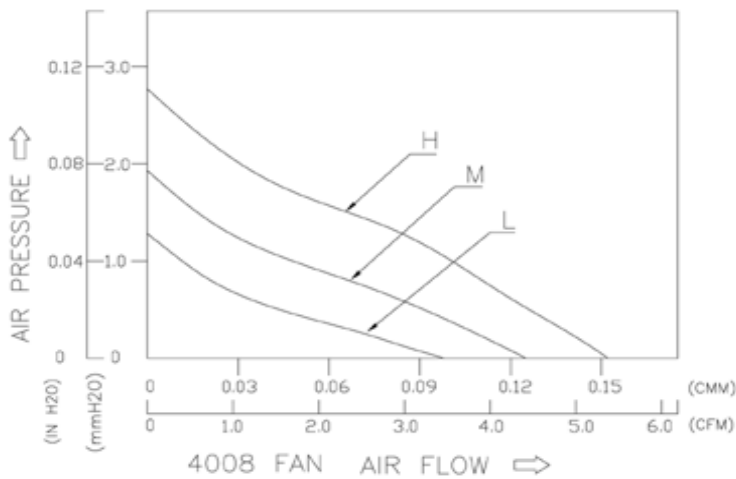


40 * 40 * 08 mm



MODEL NO	RATED VOLTAGE V	OPERATING VOLTAGE V	RATED CURRENT A	ACTUAL CURRENT A	RATED POWER W	RATED SPEED RPM	MAX. AIR FLOW		MAX. STATIC AIR PRESSURE		NOISE LEVEL dBA
							CMM	CFM	mmH2O	InH2O	
4008L05S/C/B/F	5	4.7~5.5	0.2	0.08	1	4000	0.098	3.47	1.28	0.05	19.4
4008M05S/C/B/F	5	4.7~5.5	0.24	0.19	1.2	5000	0.125	4.42	1.93	0.076	22
4008H05S/C/B/F	5	4.7~5.5	0.28	0.11	1.4	6000	0.152	5.37	2.77	0.109	25.9
4008L12S/C/B/F	12	11~13.8	0.1	0.07	1.2	4000	0.098	3.47	1.28	0.05	19.4
4008M12S/C/B/F	12	9.5~13.8	0.14	0.08	1.68	5000	0.125	4.42	1.93	0.076	22
4008H12S/C/B/F	12	9.5~13.8	0.18	0.08	2.16	6000	0.152	5.37	2.77	0.109	25.9

CHARACTERISTIC CURVE

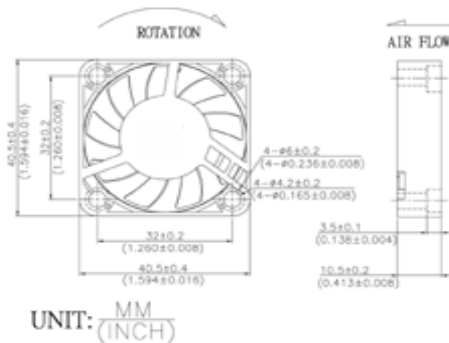
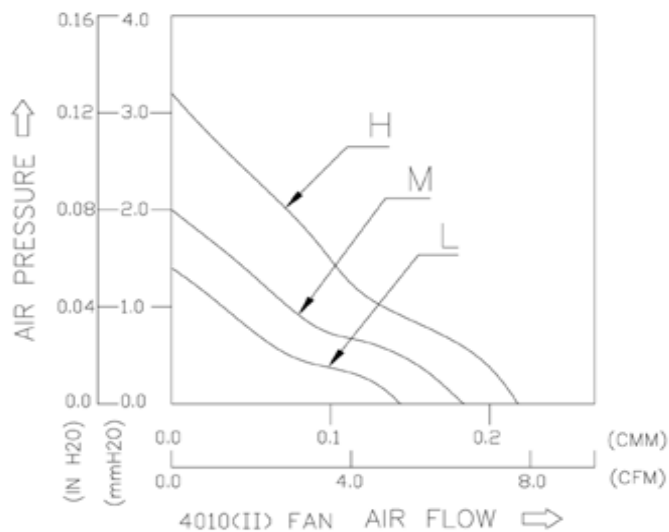


40 * 40 * 10 II mm



MODEL NO	RATED	OPERATING	RATED	ACTUAL	RATED	RATED	MAX.		MAX. STATIC		NOISE
	VOLTAGE	VOLTAGE	CURRENT	CURRENT	POWER	SPEED	AIR FLOW		AIR PRESSURE		LEVEL
	V	V	A	A	W	RPM	CMM	CFM	mmH2O	InH2O	dBA
4010LL05S/C/B/F	5	4.7~5.5	0.1	0.05	0.5	3000	0.101	3.55	0.75	0.03	19
4010LL05S/C/B/F-	5	4.7~5.5	0.1	0.05	0.5	3000	0.101	3.55	0.75	0.03	19
4010L05S/C/B/F	5	4.7~5.5	0.18	0.06	0.9	4000	0.141	4.99	1.3	0.051	21.1
4010L05S/C/B/F-	5	4.7~5.5	0.18	0.06	0.9	4000	0.141	4.99	1.3	0.051	21.1
4010M05S/C/B/F	5	4.7~5.5	0.22	0.08	1.1	5000	0.176	6.23	2.07	0.081	26
4010M05S/C/B/F-	5	4.7~5.5	0.22	0.08	1.1	5000	0.176	6.23	2.07	0.081	26
4010H05S/C/B/F	5	4.7~5.5	0.42	0.12	2.1	6000	0.227	8	3.15	0.124	29.3
4010H05S/C/B/F-	5	4.7~5.5	0.42	0.12	2.1	6000	0.227	8	3.15	0.124	29.3
4010LL12S/C/B/F	12	11~13.8	0.05	0.05	0.6	3000	0.101	3.55	0.75	0.03	19
4010LL12S/C/B/F-	12	11~13.8	0.05	0.05	0.6	3000	0.101	3.55	0.75	0.03	19
4010L12S/C/B/F	12	11~13.8	0.07	0.06	0.84	4000	0.141	4.99	1.3	0.051	21.1
4010L12S/C/B/F-	12	11~13.8	0.07	0.06	0.84	4000	0.141	4.99	1.3	0.051	21.1
4010M12S/C/B/F	12	9.5~13.8	0.09	0.08	1.08	5000	0.176	6.23	2.07	0.081	26
4010M12S/C/B/F-	12	9.5~13.8	0.09	0.08	1.08	5000	0.176	6.23	2.07	0.081	26
4010H12S/C/B/F	12	9.5~13.8	0.11	0.12	1.32	6000	0.227	8	3.15	0.124	29.3
4010H12S/C/B/F-	12	9.5~13.8	0.11	0.12	1.32	6000	0.227	8	3.15	0.124	29.3

CHARACTERISTIC CURVE

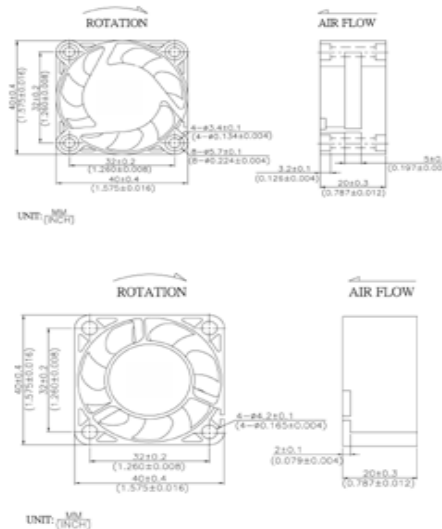
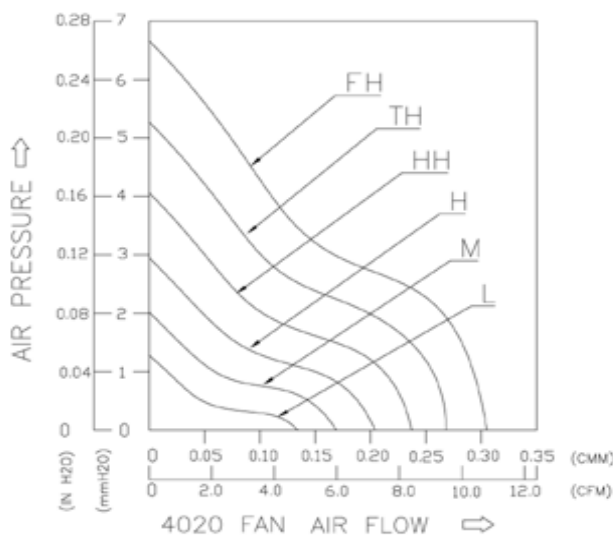


40 * 40 * 20 mm



MODEL NO	RATED VOLTAGE	OPERATING VOLTAGE	RATED CURRENT	ACTUAL CURRENT	RATED POWER	RATED SPEED	MAX. AIR FLOW		MAX. STATIC AIR PRESSURE		NOISE LEVEL
	V	V	A	A	W	RPM	CMM	CFM	mmH2O	InH2O	dBA
4020L05S/C/B/F	5	4.7~5.5	0.26	0.08	1.3	4000	0.134	4.73	1.28	0.05	19.8
4020M05S/C/B/F	5	4.7~5.5	0.32	0.13	1.6	5000	0.169	5.97	2.02	0.08	23.1
4020H05S/C/B/F	5	4.7~5.5	0.38	0.19	1.9	6000	0.204	7.2	2.95	0.116	26.7
4020HH05S/C/B/F-	5	4.7~5.5	0.44	NA	2.2	7000	0.237	8.36	4.06	0.16	31.9
4020TH05S/C/B/F-	5	4.7~5.5	0.5	NA	2.5	8000	0.268	9.47	5.27	0.207	36
4020FH05S/C/B/F-	5	4.7~5.5	0.56	NA	2.8	9000	0.305	10.76	6.66	0.262	39.3
4020L12S/C/B/F	12	9.5~13.8	0.12	0.05	1.44	4000	0.134	4.73	1.28	0.05	19.8
4020M12S/C/B/F	12	9.5~13.8	0.16	0.06	1.92	5000	0.169	5.97	2.02	0.08	23.1
4020H12S/C/B/F	12	9.5~13.8	0.2	0.08	2.4	6000	0.204	7.2	2.95	0.116	26.7
4020HH12S/C/B/F-	12	9.5~13.8	0.24	0.11	2.88	7000	0.237	8.36	4.06	0.16	31.9
4020TH12S/C/B/F-	12	9.5~13.8	0.28	0.16	3.36	8000	0.268	9.47	5.27	0.207	36
4020FH12S/C/B/F-	12	9.5~13.8	0.32	0.24	3.84	9000	0.305	10.76	6.66	0.262	39.3
4020L24S/C/B/F	24	20~27.6	0.07	0.03	1.68	4000	0.134	4.73	1.28	0.05	19.8
4020M24S/C/B/F	24	20~27.6	0.09	0.04	2.16	5000	0.169	5.97	2.02	0.08	23.1
4020H24S/C/B/F	24	20~27.6	0.11	0.06	2.64	6000	0.204	7.2	2.95	0.116	26.7
4020HH24S/C/B/F-	24	20~27.6	0.13	0.09	3.12	7000	0.237	8.36	4.06	0.16	31.9
4020TH24S/C/B/F-	24	20~27.6	0.15	0.11	3.6	8000	0.268	9.47	5.27	0.207	36
4020FH24S/C/B/F-	24	20~27.6	0.17	0.14	4.08	9000	0.305	10.76	6.66	0.262	39.3

CHARACTERISTIC CURVE

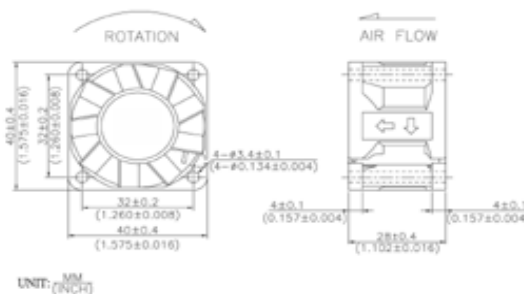
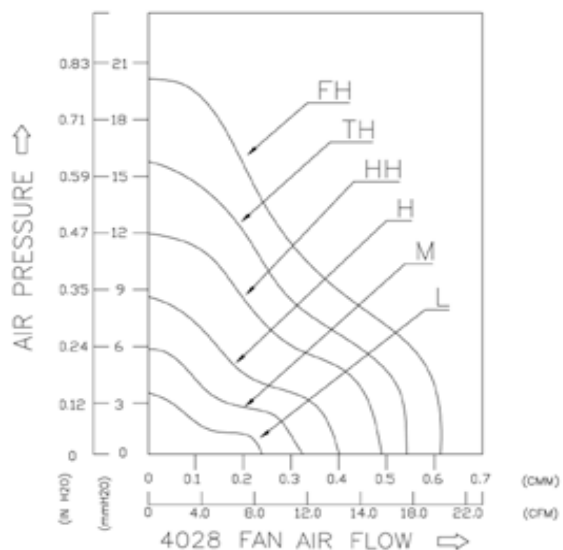


40 * 40 * 28 mm



MODEL NO	RATED VOLTAGE V	OPERATING VOLTAGE V	RATED CURRENT A	ACTUAL CURRENT A	RATED POWER W	RATED SPEED RPM	MAX. AIR FLOW		MAX. STATIC AIR PRESSURE		NOISE LEVEL dBA
							CMM	CFM	mmH2O	InH2O	
							4028L12B-	12	9~13.8	0.12	
4028M12B-	12	9~13.8	0.22	0.14	2.64	7000	0.325	11.48	5.84	0.23	38.7
4028H12B-	12	9~13.8	0.28	0.2	3.36	8500	0.401	14.15	8.62	0.339	45.6
4028HH12B-	12	9~13.8	0.42	0.28	5.04	10000	0.49	17.31	11.94	0.47	49
4028TH12B-	12	9~13.8	0.58	0.45	6.96	11500	0.542	19.14	15.78	0.621	52.3
4028FH12B-	12	9~13.8	0.66	0.5	7.92	13000	0.613	21.64	20.16	0.794	55.3

CHARACTERISTIC CURVE

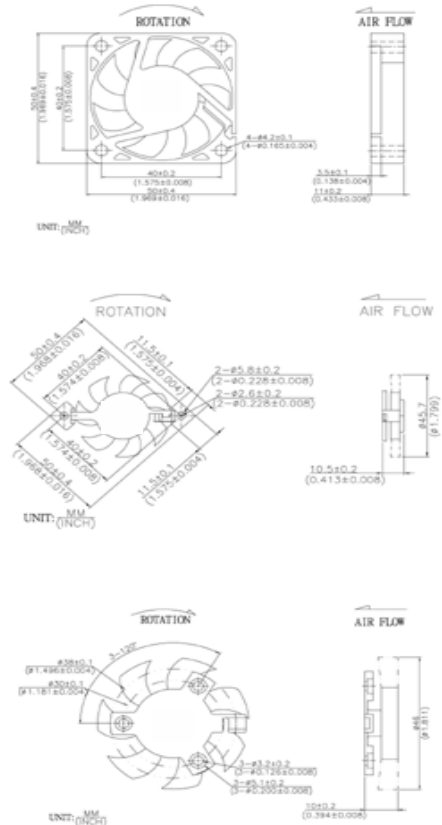
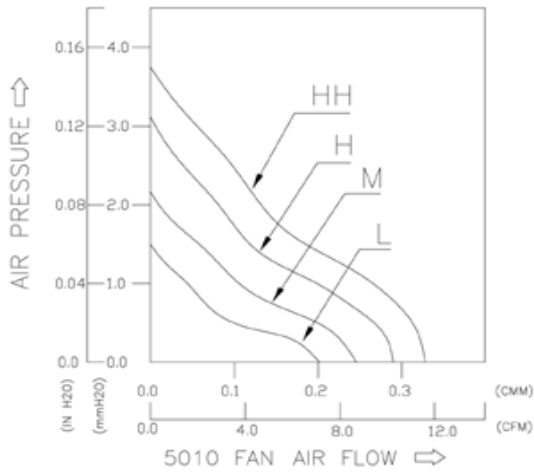


50 * 50 * 10 mm



MODEL NO	RATED VOLTAGE	OPERATING VOLTAGE	RATED CURRENT	ACTUAL CURRENT	RATED POWER	RATED SPEED	MAX. AIR FLOW		MAX. STATIC AIR PRESSURE		NOISE LEVEL
	V	V	A	A	W	RPM	CMM	CFM	mmH2O	InH2O	dBA
5010L05S/C/B/F	5	4.7~5.5	0.18	0.11	0.9	3400	0.202	7.15	1.5	0.059	21.7
5010M05S/C/B/F	5	4.7~5.5	0.24	0.17	1.2	4200	0.246	8.7	2.17	0.085	26.3
5010H05S/C/B/F	5	4.7~5.5	0.3	0.25	1.5	5000	0.29	10.25	3.12	0.123	30.5
5010L12S/C/B/F	12	11~13.8	0.08	0.06	0.96	3400	0.202	7.15	1.5	0.059	21.7
5010M12S/C/B/F	12	9.5~13.8	0.11	0.09	1.32	4200	0.246	8.7	2.17	0.085	26.3
5010H12S/C/B/F	12	9.5~13.8	0.14	0.13	1.68	5000	0.29	10.25	3.12	0.123	30.5
5010HH12S/C/B/F	12	9.5~13.8	0.21	0.2	2.52	5800	0.328	11.6	3.75	0.148	34.1
5010L24S/C/B/F	24	20~27.6	0.08	NA	1.92	3400	0.202	7.15	1.5	0.059	21.7
5010M24S/C/B/F	24	20~27.6	0.1	0.05	2.4	4200	0.246	8.7	2.17	0.085	26.3
5010H24S/C/B/F	24	20~27.6	0.12	0.07	2.88	5000	0.29	10.25	3.12	0.123	30.5

CHARACTERISTIC CURVE

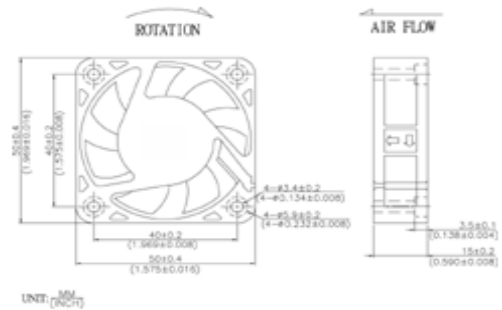
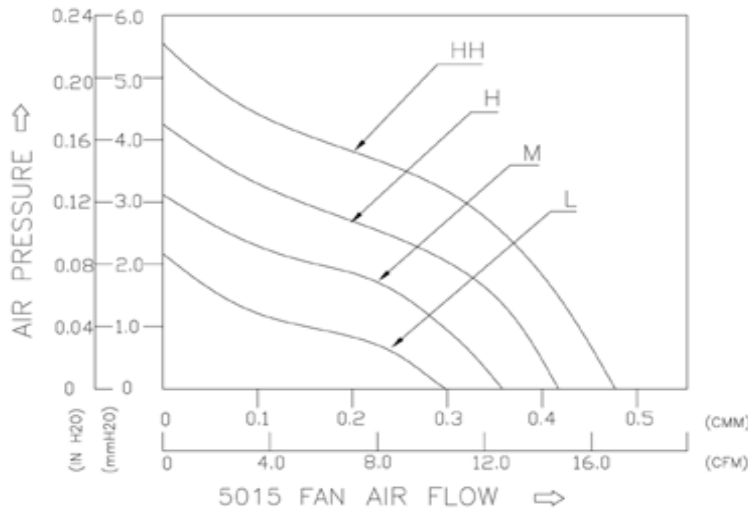


50 * 50 * 15 mm

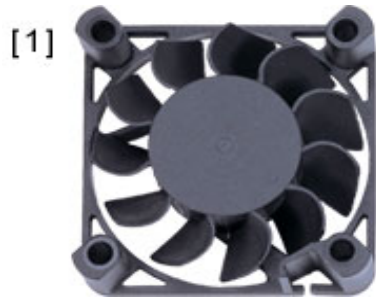


MODEL NO	RATED VOLTAGE V	OPERATING VOLTAGE V	RATED CURRENT A	ACTUAL CURRENT A	RATED POWER W	RATED SPEED RPM	MAX. AIR FLOW		MAX. STATIC AIR PRESSURE		NOISE LEVEL dBA
							CMM	CFM	mmH2O	InH2O	
5015L05S/C/B/F	5	4.5~5.5	0.35	NA	1.75	4000	0.298	10.53	2.17	0.085	31.5
5015M05S/C/B/F	5	4.5~5.5	0.5	0.28	2.5	4800	0.358	12.64	3.12	0.123	34.5
5015H05S/C/B/F	5	4.5~5.5	0.65	NA	3.25	5600	0.417	14.74	4.25	0.167	37.5
5015L12S/C/B/F	12	9~13.8	0.15	0.1	1.8	4000	0.298	10.53	2.17	0.085	31.5
5015M12S/C/B/F	12	9~13.8	0.2	0.14	2.4	4800	0.358	12.64	3.12	0.123	34.5
5015H12S/C/B/F	12	9~13.8	0.25	0.21	3	5600	0.417	14.74	4.25	0.167	37.5
5015HH12S/C/B/F-	12	9~13.8	0.3	0.2	3.6	6400	0.477	16.85	5.55	0.219	40.5
5015L24S/C/B/F	24	20~27.6	0.1	0.06	2.4	4000	0.298	10.53	2.17	0.085	31.5
5015M24S/C/B/F	24	20~27.6	0.12	0.08	2.88	4800	0.358	12.64	3.12	0.123	34.5
5015H24S/C/B/F	24	20~27.6	0.14	0.13	3.36	5600	0.417	14.74	4.25	0.167	37.5
5015HH24S/C/B/F-	24	20~27.6	0.16	0.13	3.84	6400	0.477	16.85	5.55	0.219	40.5

CHARACTERISTIC CURVE

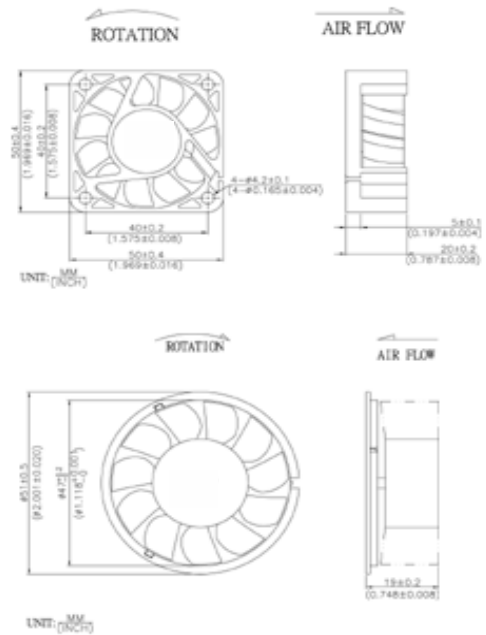
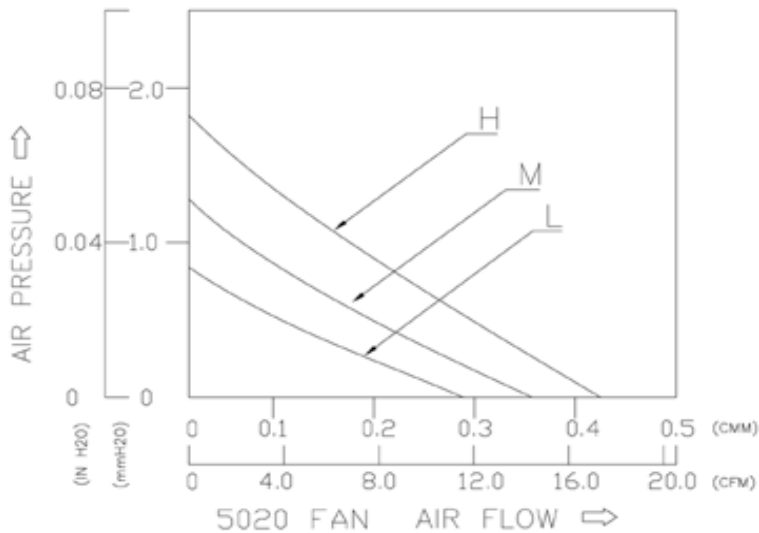


50 * 50 * 20



MODEL NO	RATED VOLTAGE V	OPERATING VOLTAGE V	RATED T A	ACTUAL CURRENT A	RATED POWER W	RATED SPEED RPM	MAX. AIR FLOW		MAX. STATIC AIR PRESSURE		NOISE LEVEL dBA
							CMM	CFM	mmH2O	InH2O	
5020L05S/C/B/F	5	4.7~5.5	0.3	NA	1.5	3400	0.289	10.2	0.84	0.033	26
5020M05S/C/B/F	5	4.7~5.5	0.45	0.2	2.25	4200	0.357	12.6	1.28	0.05	30
5020H05S/C/B/F	5	4.7~5.5	0.6	NA	3	5000	0.425	15	1.82	0.072	34
5020L12S/C/B/F	12	9~13.8	0.16	0.08	1.92	3400	0.289	10.2	0.84	0.033	26
5020M12S/C/B/F	12	9~13.8	0.2	0.14	2.4	4200	0.357	12.6	1.28	0.05	30
5020H12S/C/B/F	12	9~13.8	0.24	0.22	2.88	5000	0.425	15	1.82	0.072	34
5020H12S/C/B/F-	12	9~13.8	0.2	NA	2.4	5000	0.425	15	1.82	0.072	34

CHARACTERISTIC CURVE

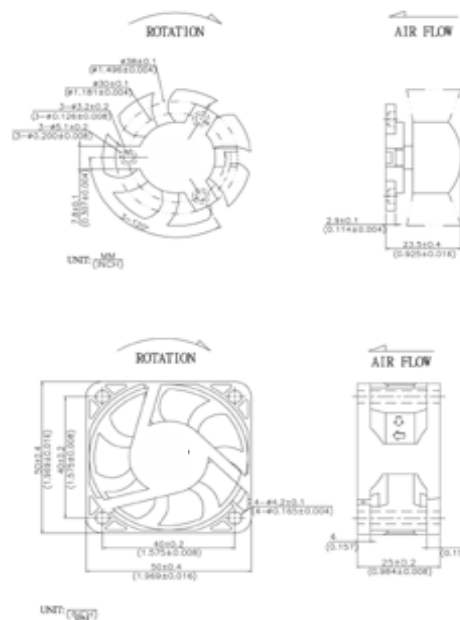
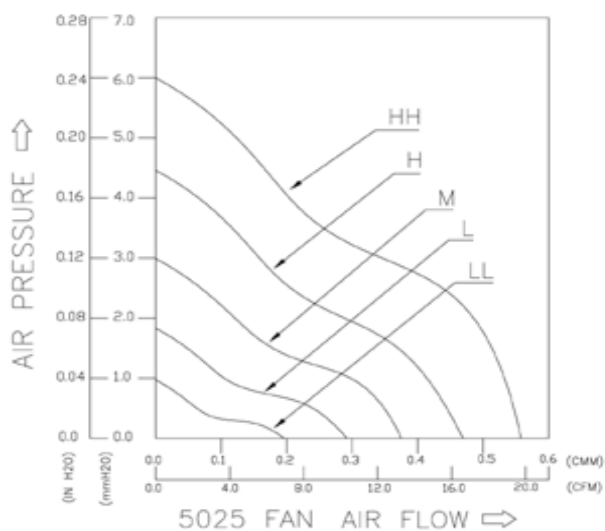


50 * 50 * 25 mm



MODEL NO	RATED VOLTAGE V	OPERATING VOLTAGE V	RATED CURRENT A	ACTUAL CURRENT A	RATED POWER W	RATED SPEED RPM	MAX. AIR FLOW		MAX. STATIC AIR PRESSURE		NOISE LEVEL dBA
							CMM	CFM	mmH2O	InH2O	
5025LL12S/C/B/F	12	9~13.8	0.07	0.04	0.84	2500	0.196	6.93	0.97	0.038	14.5
5025L12S/C/B	12	9~13.8	0.1	0.06	1.2	3500	0.292	10.3	1.83	0.072	22
5025M12S/C/B	12	9~13.8	0.15	0.11	1.8	4500	0.375	13.25	2.99	0.118	28.4
5025H12S/C/B	12	9~13.8	0.25	0.19	3	5500	0.469	16.55	4.46	0.176	34.2
5025HH12S/C/B	12	9~13.8	0.4	NA	4.8	6500	0.558	19.7	6	0.236	38.8
5025HH12S/C/B-	12	9~13.8	0.4	0.33	4.8	6500	0.558	19.7	6	0.236	38.8
5025L24S/C/B	24	20~27.6	0.07	0.05	1.68	3500	0.292	10.3	1.83	0.072	22
5025M24S/C/B	24	20~27.6	0.1	0.07	2.4	4500	0.375	13.25	2.99	0.118	28.4
5025H24S/C/B	24	20~27.6	0.15	0.11	3.6	5500	0.469	16.55	4.46	0.176	34.2
5025HH24S/C/B	24	20~27.6	0.25	NA	6	6500	0.558	19.7	6	0.236	38.8
5025HH24S/C/B-	24	20~27.6	0.25	0.32	6	6500	0.558	19.7	6	0.236	38.8

CHARACTERISTIC CURVE

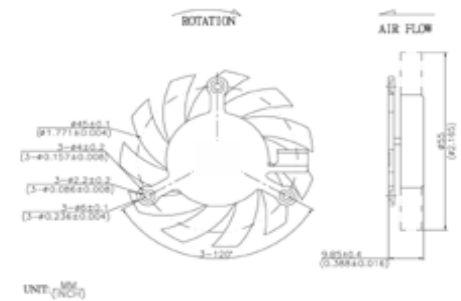
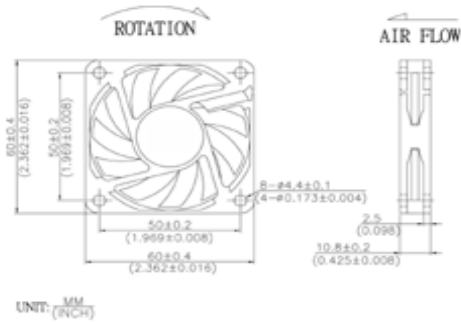
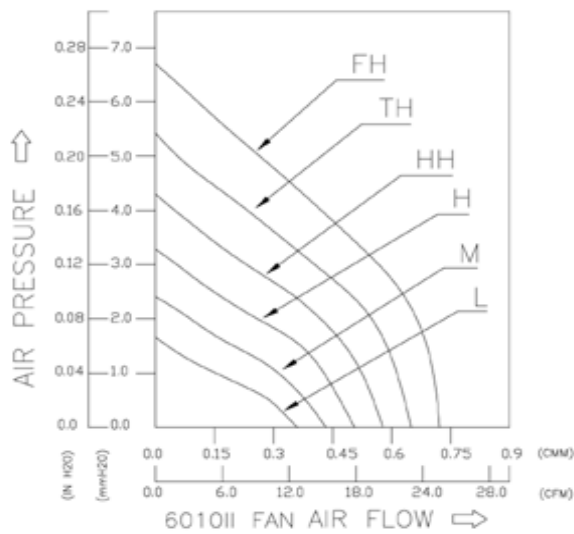


60 * 60 * 10 II mm



MODEL NO	RATED	OPERATING	RATED	ACTUAL	RATED	RATED	MAX.		MAX. STATIC		NOISE LEVEL
	VOLTAGE	VOLTAGE	CURRENT	CURRENT	POWER	SPEED	AIR FLOW		AIR PRESSURE		
	V	V	A	A	W	RPM	CMM	CFM	mmH2O	InH2O	
6010L05S/C/B/F	5	4.5~5.5	0.35	0.17	1.75	3000	0.361	12.76	1.67	0.066	27
6010M05S/C/B/F	5	4.5~5.5	0.45	0.34	2.25	3600	0.433	15.3	2.41	0.095	31
6010H05S/C/B/F	5	4.5~5.5	0.55	0.43	2.75	4200	0.506	17.86	3.28	0.129	35
6010L12S/C/B/F	12	9~13.8	0.15	0.07	1.8	3000	0.361	12.76	1.67	0.066	27
6010M12S/C/B/F	12	9~13.8	0.2	0.12	2.4	3600	0.433	15.3	2.41	0.095	31
6010H12S/C/B/F	12	9~13.8	0.25	0.17	3	4200	0.506	17.86	3.28	0.129	35
6010HH12S/C/B/F	12	9~13.8	0.3	0.25	3.6	4800	0.578	20.4	4.28	0.169	38
6010HH12S/C/B/F-	12	9~13.8	0.3	0.27	3.6	4800	0.578	20.4	4.28	0.169	38
6010TH12S/C/B/F-	12	9~13.8	0.35	0.35	4.2	5400	0.65	22.96	5.42	0.213	41
6010FH12S/C/B/F-	12	9~13.8	0.40, 0.62		8.4	6000	0.722	25.51	6.7	0.264	44
6010L24S/C/B/F	24	20~27.6	0.1	NA	2.4	3000	0.361	12.76	1.67	0.066	27
6010M24S/C/B/F	24	20~27.6	0.13	0.07	3.12	3600	0.433	15.3	2.41	0.095	31
6010H24S/C/B/F	24	20~27.6	0.16	0.09	3.84	4200	0.506	17.86	3.28	0.129	35
6010HH24S/C/B/F	24	20~27.6	0.19	0.13	4.56	4800	0.578	20.4	4.28	0.169	38

CHARACTERISTIC CURVE

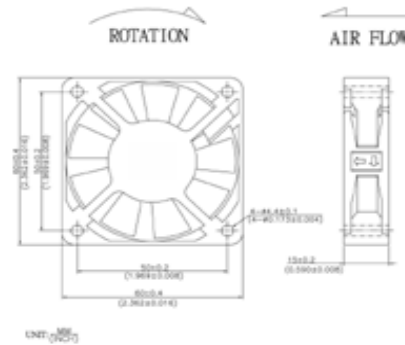
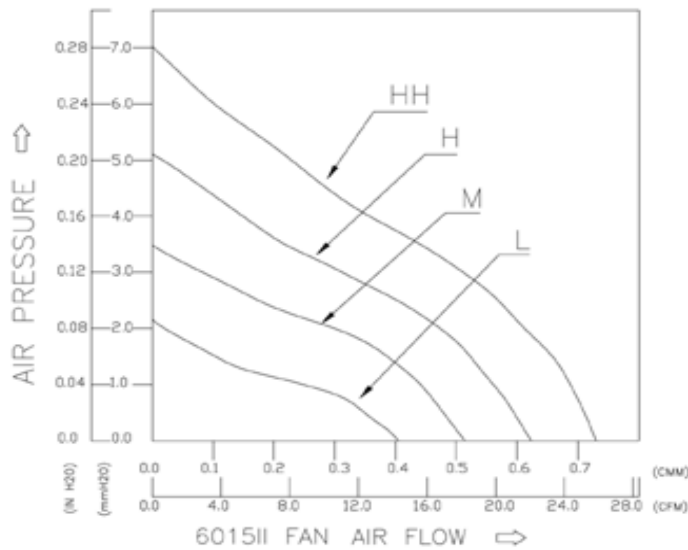


60 * 60 * 15 II mm



MODEL NO	RATED VOLTAGE V	OPERATING VOLTAGE V	RATED CURRENT A	ACTUAL CURRENT A	RATED POWER W	RATED SPEED RPM	MAX. AIR FLOW		MAX. STATIC AIR PRESSURE		NOISE LEVEL dBA
							CMM	CFM	mmH2O	InH2O	
6015L12S/C/B/F	12	9~13.8	0.15	0.1	1.8	3000	0.405	14.32	2.16	0.085	26
6015M12S/C/B/F	12	9~13.8	0.25	0.15	3	3800	0.514	18.14	3.48	0.137	31
6015H12S/C/B/F	12	9~13.8	0.35	0.21	4.2	4600	0.623	22	5.1	0.201	36
6015HH12S/C/B/F-	12	9~13.8	0.45	0.29	5.4	5400	0.73	25.78	7.02	0.276	41

CHARACTERISTIC CURVE

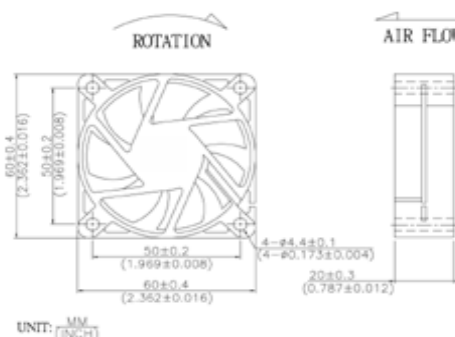
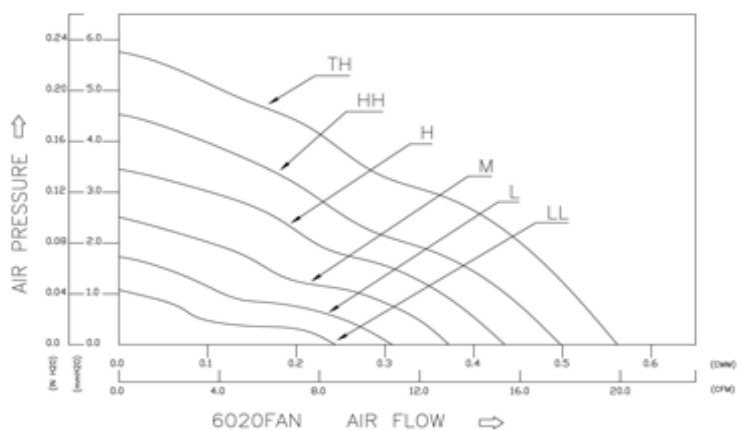


60 * 60 * 20 mm



MODEL NO	RATED	OPERATING	RATED	ACTUAL	RATED	RATED	MAX.		MAX. STATIC		NOISE
	VOLTAGE	VOLTAGE	CURRENT	CURRENT	POWER	SPEED	AIR FLOW		AIR PRESSURE		LEVEL
	V	V	A	A	W	RPM	CMM	CFM	mmH2O	InH2O	dBA
6020L05S/C/B/F	5	4.5~5.5	0.18	0.1	0.9	2900	0.308	10.88	1.73	0.068	26
6020M05S/C/B/F	5	4.5~5.5	0.24	0.15	1.2	3500	0.372	13.14	2.51	0.099	30
6020H05S/C/B/F	5	4.5~5.5	0.3	0.23	1.5	4100	0.435	15.36	3.45	0.136	34
6020LL12S/C/B/F	12	9~13.8	0.1	NA	1.2	2300	0.244	8.6	1.08	0.043	21
6020L12S/C/B/F	12	9~13.8	0.12	0.05	1.44	2900	0.308	10.88	1.73	0.068	26
6020M12S/C/B/F	12	9~13.8	0.14	0.08	1.68	3500	0.372	13.14	2.51	0.099	30
6020H12S/C/B/F	12	9~13.8	0.16	0.12	1.92	4100	0.435	15.36	3.45	0.136	34
6020H12S/C/B/F-	12	9~13.8	0.16	NA	1.92	4100	0.435	15.36	3.45	0.136	34
6020HH12S/C/B/F	12	9~13.8	0.18	0.15	2.16	4700	0.498	17.6	4.53	0.178	37
6020HH12S/C/B/F-	12	9~13.8	0.18	0.11	2.16	4700	0.498	17.6	4.53	0.178	37
6020TH12S/C/B/F-	12	9~13.8	0.2	0.15	2.4	5300	0.562	19.86	5.76	0.227	40
6020L24S/C/B/F	24	20~27.6	0.08	NA	1.92	2900	0.308	10.88	1.73	0.068	26
6020M24S/C/B/F	24	20~27.6	0.1	0.07	2.4	3500	0.372	13.14	2.51	0.099	30
6020H24S/C/B/F	24	20~27.6	0.12	0.07	2.88	4100	0.435	15.36	3.45	0.136	34
6020H24S/C/B/F-	24	20~27.6	0.12	NA	2.88	4100	0.435	15.36	3.45	0.136	34

CHARACTERISTIC CURVE

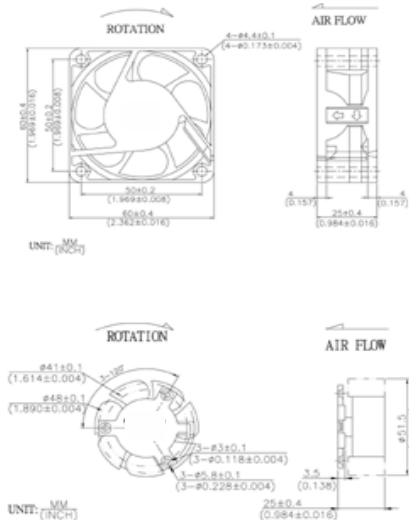
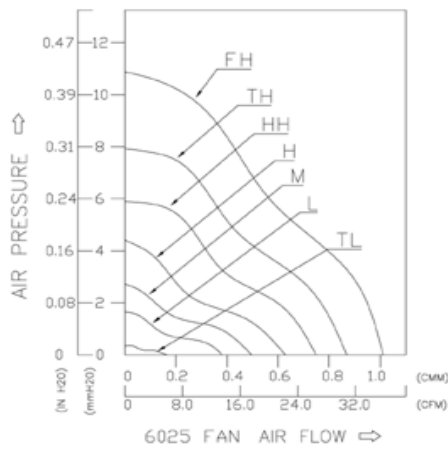


60 * 60 * 25 mm



MODEL NO	RATED VOLTAGE	OPERATING VOLTAGE	RATED CURRENT	ACTUAL CURRENT	RATED POWER	RATED SPEED	MAX. AIR FLOW		MAX. STATIC AIR PRESSURE		NOISE LEVEL
	V	V	A	A	W	RPM	CMM	CFM	mmH2O	InH2O	dBA
6025L05S/C/B/F	5	4.5~5.5	0.3	0.15	1.5	2600	0.38	13.42	1.69	0.066	23
6025M05S/C/B/F	5	4.5~5.5	0.4	0.28	2	3400	0.497	17.55	2.72	0.107	30
6025H05S/C/B/F	5	4.5~5.5	0.5	0.41	2.5	4200	0.629	22.21	4.16	0.164	36
6025TL12S/C/B/F	12	9~13.8	0.05	0.02	0.6	1200	0.167	5.9	0.34	0.013	6
6025TL12S/C/B/F-	12	9~13.8	0.15	NA	1.8	1200	0.167	5.9	0.34	0.013	6
6025L12S/C/B/F	12	9~13.8	0.15	0.09	1.8	2600	0.38	13.42	1.69	0.066	23
6025M12S/C/B/F	12	9~13.8	0.2	0.13	2.4	3400	0.497	17.55	2.72	0.107	30
6025H12S/C/B/F	12	9~13.8	0.25	0.18	3	4200	0.629	22.21	4.16	0.164	36
6025HH12S/C/B/F-	12	9~13.8	0.45	0.25	5.4	5000	0.749	26.45	5.89	0.232	40
6025TH12S/C/B/F-	12	9~13.8	0.55	0.42	6.6	5800	0.869	30.68	7.93	0.312	44
6025FH12S/C/B/F-	12	9~13.8	0.85	0.76	10.2	6800	1.018	35.95	10.88	0.428	48
6025L24S/C/B/F	24	20~27.6	0.12	NA	2.88	2600	0.38	13.42	1.69	0.066	23
6025L24S/C/B/F-	24	20~27.6	0.12	NA	2.88	2600	0.38	13.42	1.69	0.066	23
6025M24S/C/B/F	24	20~27.6	0.14	0.11	3.36	3400	0.497	17.55	2.72	0.107	30
6025M24S/C/B/F-	24	20~27.6	0.14	NA	3.36	3400	0.497	17.55	2.72	0.107	30
6025H24S/C/B/F	24	20~27.6	0.16	0.14	3.84	4200	0.629	22.21	4.16	0.164	36
6025H24S/C/B/F-	24	20~27.6	0.16	NA	3.84	4200	0.629	22.21	4.16	0.164	36
6025HH24S/C/B/F-	24	20~27.6	0.18	0.13	4.32	5000	0.749	26.45	5.89	0.232	40
6025TH24S/C/B/F-	24	20~27.6	0.28	0.23	6.72	5800	0.869	30.68	7.928	0.312	44
6025L48S/C/B/F-	48	40~52.8	0.06	0.06	2.88	2600	0.38	13.42	1.686	0.066	23
6025M48S/C/B/F-	48	40~52.8	0.07	0.05	3.36	3400	0.497	17.55	2.721	0.107	30
6025H48S/C/B/F-	48	40~52.8	0.08	0.12	3.84	4200	0.629	22.21	4.159	0.164	36
6025HH48S/C/B/F-	48	40~52.8	0.1	0.16	4.8	5000	0.749	26.45	5.891	0.232	40
6025FH48S/C/B/F-	48	40~52.8	0.16	0.12	7.68	6600	1.018	35.95	10.88	0.428	48

CHARACTERISTIC CURVE

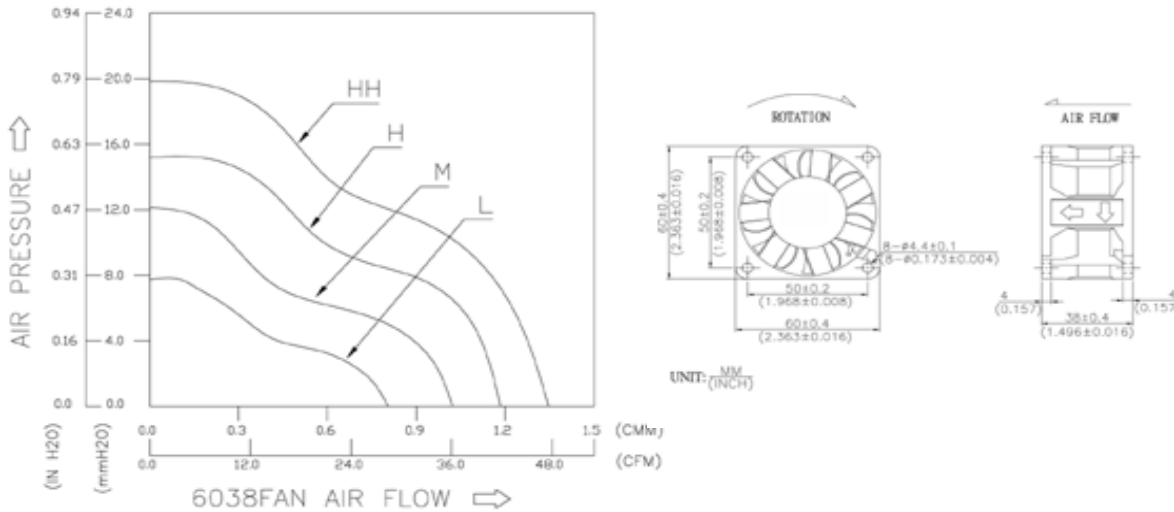


60 * 60 * 38 mm



MODEL NO	RATED VOLTAGE V	OPERATING VOLTAGE V	RATED T A	ACTUAL T A	RATED POWER W	RATED SPEED RPM	MAX. AIR FLOW		MAX. STATIC AIR PRESSURE		NOISE LEVEL dBA
							CMM	CFM	mmH2O	InH2O	
6038L12B-	12	9~13.8	0.3	0.25	3.6	5000	0.805	28.41	7.75	0.305	52.9
6038M12B-	12	9~13.8	0.5	0.36	6	6000	1.022	36.11	12.13	0.478	56.7
6038H12B-	12	9~13.8	0.8	0.6	9.6	7000	1.184	41.8	15.18	0.598	60.9
6038HH12B-	12	9~13.8	1.1	0.96	13.2	8000	1.347	47.55	19.83	0.781	63.8
6038L24B-	24	20~27.6	0.25	0.17	6	5000	0.804	28.41	7.75	0.305	52.9
6038M24B-	24	20~27.6	0.35	0.19	8.4	6000	1.023	36.11	12.13	0.478	56.7
6038H24B-	24	20~27.6	0.45	0.41	10.8	7000	1.184	41.8	15.18	0.598	60.9
6038HH24B-	24	20~27.6	0.6	0.53	14.4	8000	1.346	47.55	19.83	0.781	63.8
6038L48B-	48	40~52.8	0.1	0.08	4.8	5000	0.804	28.41	7.75	0.305	52.9
6038M48B-	48	40~52.8	0.15	0.1	7.2	6000	1.023	36.11	12.13	0.478	56.7
6038H48B-	48	40~52.8	0.2	0.16	9.6	7000	1.184	41.8	15.18	0.598	60.9
6038HH48B-	48	40~52.8	0.25	0.2	12	8000	1.346	47.55	19.83	0.781	63.8

CHARACTERISTIC CURVE

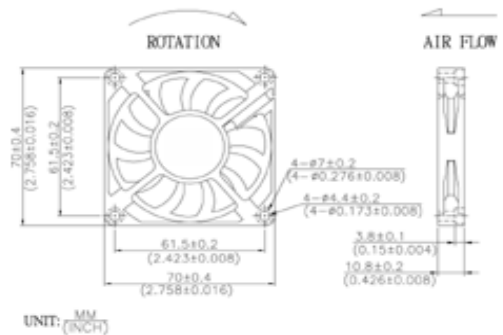
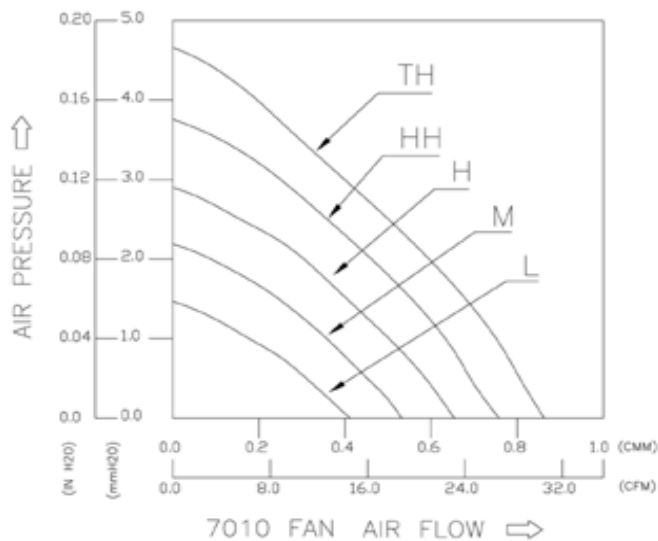


70 * 70 * 10 mm



MODEL NO	RATED VOLTAGE V	OPERATING VOLTAGE V	RATED CURRENT A	ACTUAL CURRENT A	RATED POWER W	RATED SPEED RPM	MAX. AIR FLOW		MAX. STATIC AIR PRESSURE		NOISE LEVEL dBA
							CMM	CFM	mmH2O	InH2O	
7010L05S/C/B/F	5	4.5~5.5	0.25	0.18	1.25	2600	0.412	14.54	1.47	0.058	26.2
7010M05S/C/B/F	5	4.5~5.5	0.35	0.3	1.75	3200	0.532	18.78	2.19	0.086	31.4
7010H05S/C/B/F	5	4.5~5.5	0.52	0.43	2.6	3800	0.654	23.1	2.9	0.114	34.6
7010L12S/C/B/F	12	9~13.8	0.2	0.11	2.4	2600	0.412	14.54	1.47	0.058	26.2
7010M12S/C/B/F	12	9~13.8	0.25	0.16	3	3200	0.532	18.78	2.19	0.086	31.4
7010H12S/C/B/F	12	9~13.8	0.3	0.25	3.6	3800	0.654	23.1	2.9	0.114	34.6
7010HH12S/C/B/F	12	9~13.8	0.39	0.38	4.68	4400	0.758	26.78	3.76	0.148	38
7010HH12S/C/B/F-	12	9~13.8	0.39	0.39	4.68	4400	0.758	26.78	3.76	0.148	38
7010TH12S/C/B/F-	12	9~13.8	0.7	0.56	8.4	5000	0.863	30.48	4.66	0.183	42.7
7010L24S/C/B/F	24	20~27.6	0.1	NA	2.4	2600	0.412	14.54	1.47	0.058	26.2
7010M24S/C/B/F	24	20~27.6	0.13	NA	3.12	3200	0.532	18.78	2.19	0.086	31.4
7010H24S/C/B/F	24	20~27.6	0.16	NA	3.84	3800	0.654	23.1	2.9	0.114	34.6
7010HH24S/C/B/F	24	20~27.6	0.19	NA	4.56	4400	0.758	26.78	3.76	0.148	38
7010HH24S/C/B/F-	24	20~27.6	0.19	0.24	4.56	4400	0.758	26.78	3.76	0.148	38
7010TH24S/C/B/F-	24	20~27.6	0.3	NA	7.2	5000	0.863	30.48	4.66	0.183	42.7

CHARACTERISTIC CURVE

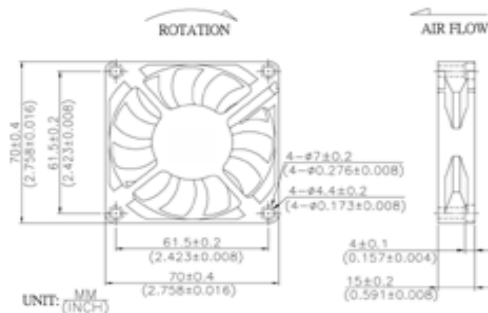
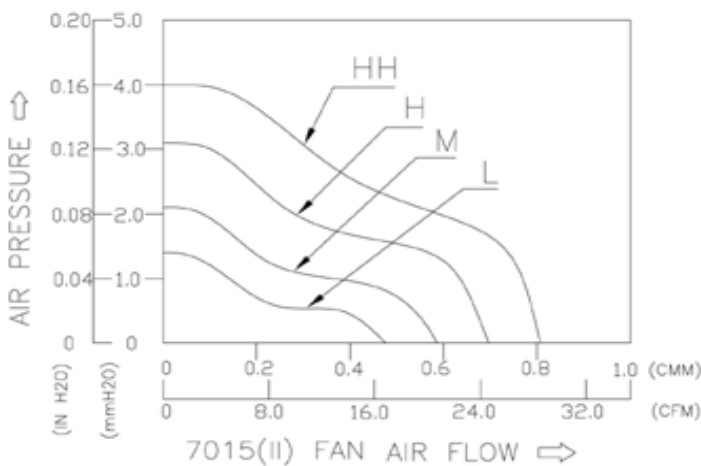


70 * 70 * 15 II mm



MODEL NO	RATED	OPERATING	RATED	ACTUAL	RATED	RATED	MAX.		MAX. STATIC		NOISE
	VOLTAGE	VOLTAGE	CURRENT	CURRENT	POWER	SPEED	AIR FLOW		AIR PRESSURE		LEVEL
	V	V	A	A	W	RPM	CMM	CFM	mmH2O	InH2O	dBA
7015L12S/C/B/F	12	9~13.8	0.15	NA	1.8	2600	0.476	16.8	1.4	0.055	27
7015M12S/C/B/F	12	9~13.8	0.25	NA	3	3200	0.586	20.7	2.1	0.083	31
7015H12S/C/B/F	12	9~13.8	0.4	NA	4.8	3800	0.697	24.6	3.1	0.122	34
7015HH12S/C/B/F	12	9~13.8	0.5	NA	6	4400	0.807	28.5	4	0.157	38
7015L24S/C/B/F	24	20~27.6	0.1	NA	2.4	2600	0.476	16.8	1.4	0.055	27
7015M24S/C/B/F	24	20~27.6	0.15	NA	3.6	3200	0.586	20.7	2.1	0.083	31
7015H24S/C/B/F	24	20~27.6	0.2	NA	4.8	3800	0.697	24.6	3.1	0.122	34
7015HH24S/C/B/F	24	20~27.6	0.3	NA	7.2	4400	0.807	28.5	4	0.157	38

CHARACTERISTIC CURVE

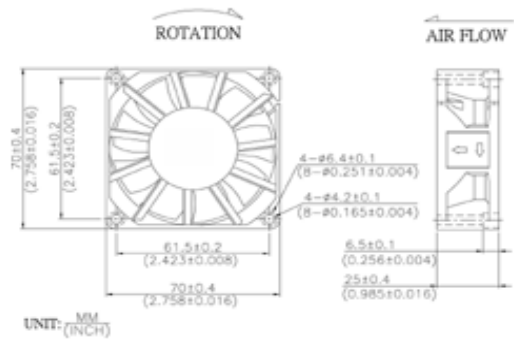
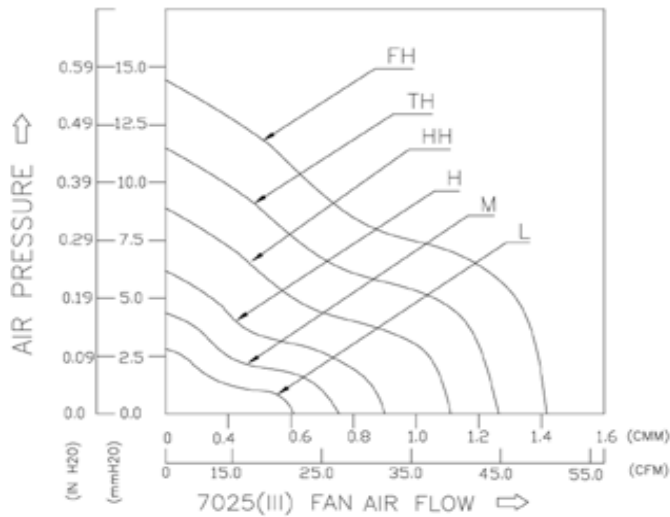


70 * 70 * 25 III mm



MODEL NO	RATED VOLTAGE V	OPERATING VOLTAGE V	RATED CURRENT A	ACTUAL CURRENT A	RATED POWER W	RATED SPEED RPM	MAX. AIR FLOW		MAX. STATIC AIR PRESSURE		NOISE LEVEL dBA
							CMM	CFM	mmH2O	InH2O	
7025L05C/B	5	4.5~5.5	0.25	0.21	1.25	2600	0.609	21.5	2.82	0.111	33
7025M05C/B	5	4.5~5.5	0.45	0.37	2.25	3200	0.745	26.3	4.36	0.172	37.9
7025H05C/B	5	4.5~5.5	0.65	0.57	3.25	3800	0.898	31.7	6.19	0.244	43.1
7025L12C/B	12	9~13.8	0.13	0.11	1.56	2600	0.609	21.5	2.82	0.111	33
7025M12C/B	12	9~13.8	0.21	0.16	2.52	3200	0.745	26.3	4.36	0.172	37.9
7025H12C/B	12	9~13.8	0.3	0.24	3.6	3800	0.898	31.7	6.19	0.244	43.1
7025HH12C/B-	12	9~13.8	0.6	0.31	7.2	4400	1.111	39.25	8.9	0.35	46.5
7025TH12C/B-	12	9~13.8	0.85	0.51	10.2	5000	1.263	44.6	11.5	0.453	49.5
7025FH12C/B-	12	9~13.8	1	0.6	12	5600	1.416	50	14.43	0.568	54.5
7025L24C/B	24	20~27.6	0.1	0.07	2.4	2600	0.609	21.5	2.82	0.111	33
7025M24C/B	24	20~27.6	0.15	0.09	3.6	3200	0.745	26.3	4.36	0.172	37.9
7025H24C/B	24	20~27.6	0.2	0.12	4.8	3800	0.898	31.7	6.19	0.244	43.1

CHARACTERISTIC CURVE

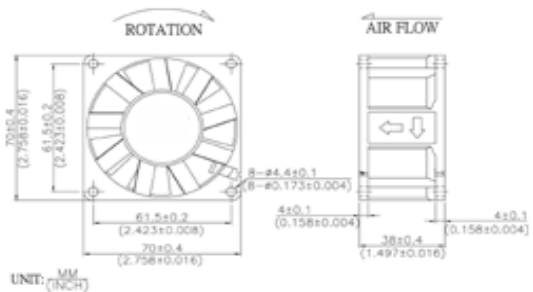
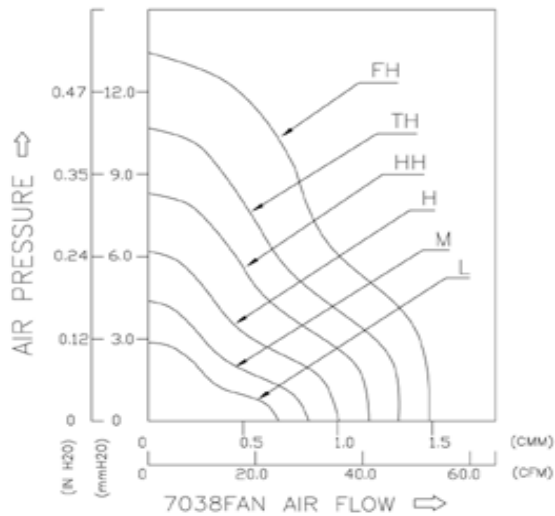


70 * 70 * 38 mm



MODEL NO	RATED VOLTAGE V	OPERATING VOLTAGE V	RATED T A	ACTUAL T A	RATED POWER W	RATED SPEED RPM	MAX. AIR FLOW		MAX. STATIC AIR PRESSURE		NOISE LEVEL dBA
							CMM	CFM	mmH2O	InH2O	
7038L12B-	12	9~13.8	0.15	0.13	1.8	2600	0.688	24.29	2.86	0.113	37
7038M12B-	12	9~13.8	0.2	0.17	2.4	3200	0.847	29.9	4.38	0.172	41
7038H12B-	12	9~13.8	0.25	0.26	3	3800	1.006	35.52	6.19	0.244	45
7038HH12B-	12	9~13.8	0.35	0.33	4.2	4400	1.165	41.14	8.29	0.326	48
7038TH12B-	12	9~13.8	0.5	0.46	6	5000	1.322	46.67	10.67	0.42	51
7038FH12B-	12	9~13.8	0.75	0.57	9	5600	1.483	52.38	13.43	0.529	54
7038L24B-	24	20~27.6	0.08	0.06	1.92	2600	0.688	24.29	2.86	0.113	37
7038M24B-	24	20~27.6	0.1	0.08	2.4	3200	0.847	29.9	4.38	0.172	41
7038H24B-	24	20~27.6	0.15	0.1	3.6	3800	1.006	35.52	6.19	0.244	45
7038HH24B-	24	20~27.6	0.2	0.15	4.8	4400	1.165	41.14	8.29	0.326	48
7038TH24B-	24	20~27.6	0.25	0.19	6	5000	1.322	46.67	10.67	0.42	51
7038FH24B-	24	20~27.6	0.35	0.29	8.4	5600	1.483	52.38	13.43	0.529	54
7038L48B-	48	40~52.8	0.06	0.04	2.88	2600	0.688	24.29	2.86	0.113	37
7038M48B-	48	40~52.8	0.08	0.06	3.84	3200	0.847	29.9	4.38	0.172	41
7038H48B-	48	40~52.8	0.1	0.07	4.8	3800	1.006	35.52	6.19	0.244	45
7038HH48B-	48	40~52.8	0.12	0.09	5.76	4400	1.165	41.14	8.29	0.326	48
7038TH48B-	48	40~52.8	0.16	0.13	7.68	5000	1.322	46.67	10.67	0.42	51
7038FH48B-	48	40~52.8	0.2	0.16	9.6	5600	1.483	52.38	13.43	0.529	54

CHARACTERISTIC CURVE

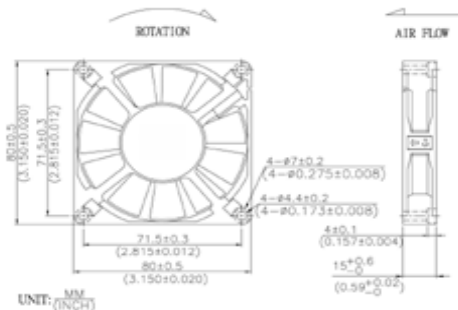
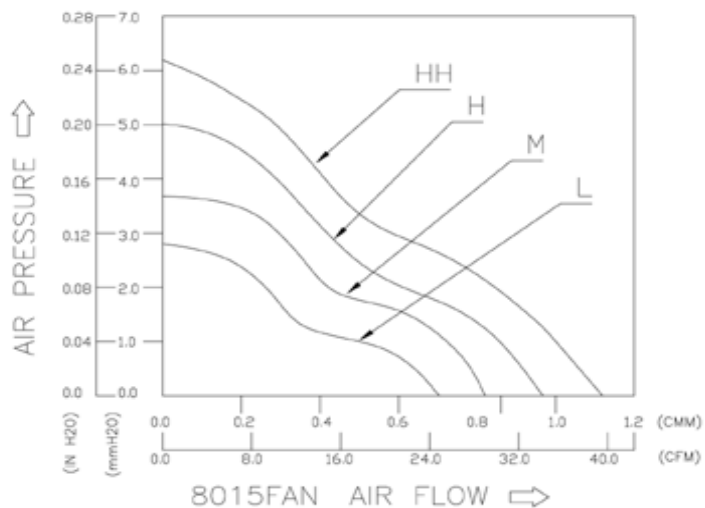


80 * 80 * 15 mm



MODEL NO	RATED	OPERATING	RATED	ACTUAL	RATED	RATED	MAX.		MAX. STATIC		NOISE LEVEL
	VOLTAGE	VOLTAGE	CURRENT	CURRENT	POWER	SPEED	AIR FLOW		AIR PRESSURE		
	V	V	A	A	W	RPM	CMM	CFM	mmH2O	InH2O	
8015L12S/C/B/F	12	9~13.8	0.15	0.12	1.8	2500	0.703	24.84	2.8	0.11	31.3
8015L12S/C/B/F-	12	9~13.8	0.15	NA	1.8	2500	0.703	24.84	2.8	0.11	31.3
8015M12S/C/B/F	12	9~13.8	0.25	0.18	3	3000	0.82	28.95	3.68	0.145	36.6
8015M12S/C/B/F-	12	9~13.8	0.25	NA	3	3000	0.82	28.95	3.68	0.145	36.6
8015H12S/C/B/F	12	9~13.8	0.35	0.25	4.2	3500	0.967	34.15	5.01	0.197	41.7
8015H12S/C/B/F-	12	9~13.8	0.35	NA	4.2	3500	0.967	34.15	5.01	0.197	41.7
8015HH12S/C/B/F	12	9~13.8	0.5	0.38	6	4000	1.119	39.53	6.19	0.244	44.9
8015HH12S/C/B/F-	12	9~13.8	0.5	0.48	6	4000	1.119	39.53	6.19	0.244	44.9
8015L24S/C/B/F	24	20~27.6	0.1	0.08	2.4	2500	0.703	24.84	2.8	0.11	31.3
8015L24S/C/B/F-	24	20~27.6	0.1	NA	2.4	2500	0.703	24.84	2.8	0.11	31.3
8015M24S/C/B/F	24	20~27.6	0.15	NA	3.6	3000	0.82	28.95	3.68	0.145	36.6
8015M24S/C/B/F-	24	20~27.6	0.15	NA	3.6	3000	0.82	28.95	3.68	0.145	36.6
8015H24S/C/B/F	24	20~27.6	0.25	0.18	6	3500	0.967	34.15	5.01	0.197	41.7
8015H24S/C/B/F-	24	20~27.6	0.25	NA	6	3500	0.967	34.15	5.01	0.197	41.7
8015HH24S/C/B/F	24	20~27.6	0.3	NA	7.2	4000	1.119	39.53	6.19	0.244	44.9
8015HH24S/C/B/F-	24	20~27.6	0.35	0.34	8.4	4000	1.119	39.53	6.19	0.244	44.9

CHARACTERISTIC CURVE

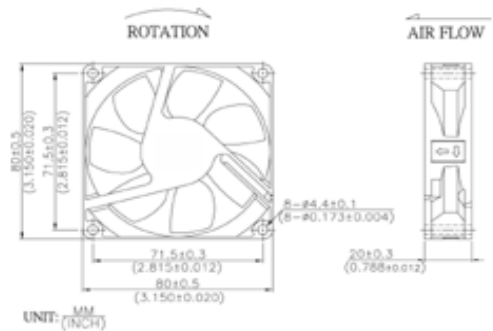
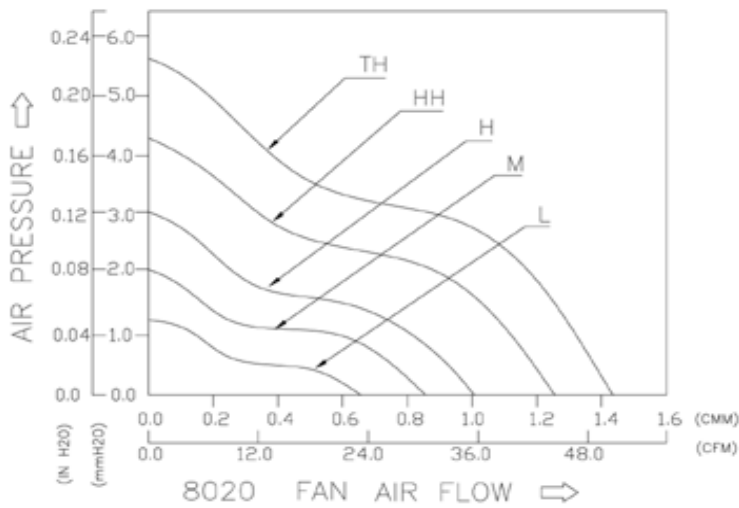


80 * 80 * 20 mm

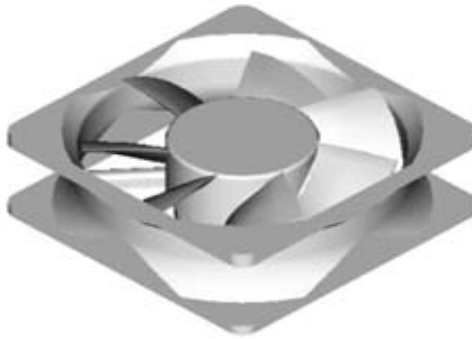


MODEL NO	RATED VOLTAGE V	OPERATING VOLTAGE V	RATED T A	ACTUAL CURRENT A	RATED POWER W	RATED SPEED RPM	MAX. AIR FLOW		MAX. STATIC AIR PRESSURE		NOISE LEVEL dBA
							CMM	CFM	mmH2O	InH2O	
8020L05S/C/B/F	5	4.5~5.5	0.3	NA	1.5	2000	0.656	23.16	1.25	0.049	25
8020M05S/C/B/F	5	4.5~5.5	0.4	0.27	2	2600	0.856	30.23	2.1	0.083	32
8020H05S/C/B/F	5	4.5~5.5	0.5	0.42	2.5	3200	1.057	37.32	3.06	0.12	37
8020L12S/C/B/F	12	9~13.8	0.12	0.07	1.44	2000	0.656	23.16	1.25	0.049	25
8020M12S/C/B/F	12	9~13.8	0.17	0.12	2.04	2600	0.856	30.23	2.1	0.083	32
8020H12S/C/B/F	12	9~13.8	0.22	0.21	2.64	3200	1.057	37.32	3.06	0.12	37
8020HH12S/C/B/F-	12	9~13.8	0.5	0.32	6	3800	1.255	44.31	4.3	0.169	42
8020TH12S/C/B/F-	12	9~13.8	0.6	0.45	7.2	4400	1.453	51.32	5.78	0.228	45
8020L24S/C/B/F	24	20~27.6	0.1	0.05	2.4	2000	0.656	23.16	1.25	0.049	25
8020M24S/C/B/F	24	20~27.6	0.14	0.07	3.36	2600	0.856	30.23	2.1	0.083	32
8020H24S/C/B/F	24	20~27.6	0.18	0.12	4.32	3200	1.057	37.32	3.06	0.12	37
8020HH24S/C/B/F-	24	20~27.6	0.25	0.17	6	3800	1.255	44.31	4.3	0.169	42
8020L48S/C/B/F-	48	40~52.8	0.08	NA	3.84	2000	0.656	23.16	1.25	0.049	25
8020M48S/C/B/F-	48	40~52.8	0.1	NA	4.8	2600	0.856	30.23	2.1	0.083	32
8020H48S/C/B/F-	48	40~52.8	0.12	0.08	5.76	3200	1.057	37.32	3.06	0.12	37

CHARACTERISTIC CURVE

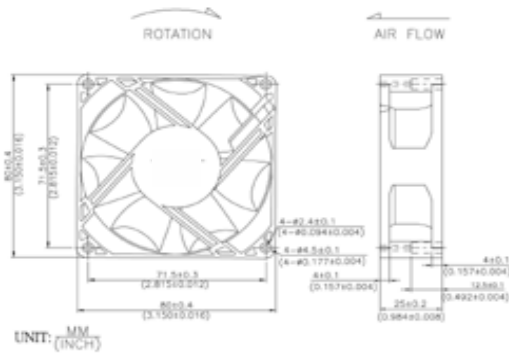
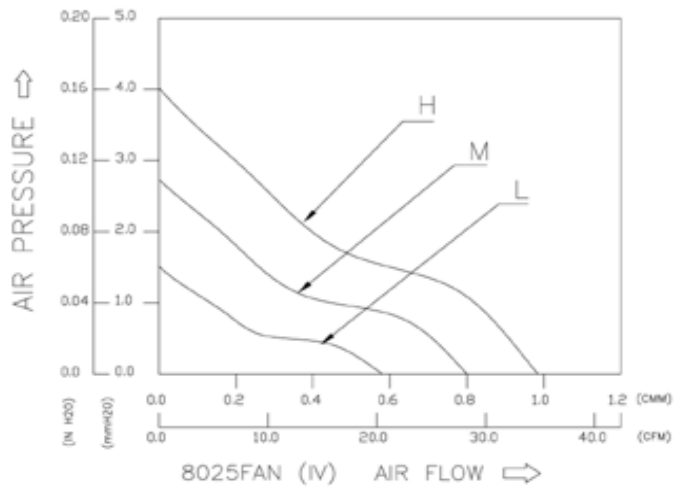


80 * 80 * 25 IV mm



MODEL NO	RATED	OPERATING	RATED	ACTUAL	RATED	RATED	MAX.		MAX. STATIC		NOISE LEVEL dBA
	VOLTAGE	VOLTAGE	CURRENT	CURRENT	POWER	SPEED	AIR FLOW		AIR PRESSURE		
	V	V	A	A	W	RPM	CMM	CFM	mmH2O	InH2O	
8025L12S/C/B/F	12	9~13.8	0.14	0.07	1.68	1800	0.58	20.49	1.51	0.059	23.5
8025M12S/C/B/F	12	9~13.8	0.19	0.12	2.28	2400	0.799	28.23	2.72	0.107	28.2
8025H12S/C/B/F	12	9~13.8	0.24	0.19	2.88	3000	0.984	34.76	4.02	0.158	34.1

CHARACTERISTIC CURVE

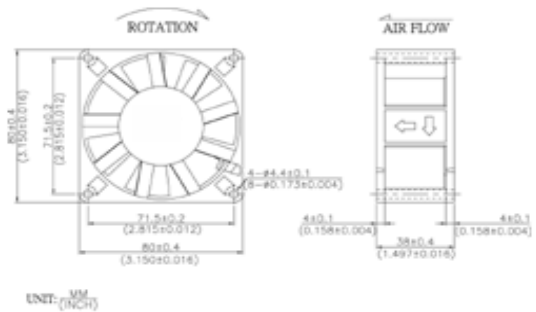
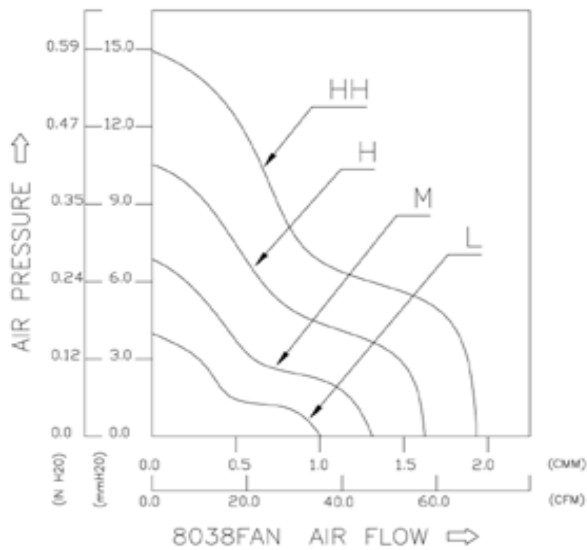


80 * 80 * 38 mm



MODEL NO	RATED VOLTAGE V	OPERATING VOLTAGE V	RATED T A	ACTUAL T A	RATED POWER W	RATED SPEED RPM	MAX. AIR FLOW		MAX. STATIC AIR PRESSURE		NOISE LEVEL dBA
							CMM	CFM	mmH2O	InH2O	
8038L12B-	12	9~13.8	0.2	0.16	2.4	2600	1.006	35.52	4	0.157	35
8038M12B-	12	9~13.8	0.35	0.26	4.2	3400	1.313	46.38	6.86	0.27	40
8038H12B-	12	9~13.8	0.6	0.43	7.2	4200	1.623	57.33	10.48	0.413	45
8038HH12B-	12	9~13.8	1	0.76	12	5000	1.934	68.29	14.86	0.585	50
8038L24B-	24	20~27.6	0.15	0.07	3.6	2600	1.006	35.52	4	0.157	35
8038M24B-	24	20~27.6	0.25	0.12	6	3400	1.313	46.38	6.86	0.27	40
8038H24B-	24	20~27.6	0.45	0.25	10.8	4200	1.623	57.33	10.48	0.413	45
8038HH24B-	24	20~27.6	0.6	0.45	14.4	5000	1.934	68.29	14.86	0.585	50
8038L48B-	48	40~52.8	0.1	0.09	4.8	2600	1.006	35.52	4	0.157	35
8038M48B-	48	40~52.8	0.15	0.09	7.2	3400	1.313	46.38	6.86	0.27	40
8038H48B-	48	40~52.8	0.25	0.11	12	4200	1.623	57.33	10.48	0.413	45
8038HH48B-	48	40~52.8	0.35	0.19	16.8	5000	1.934	68.29	14.86	0.585	50

CHARACTERISTIC CURVE

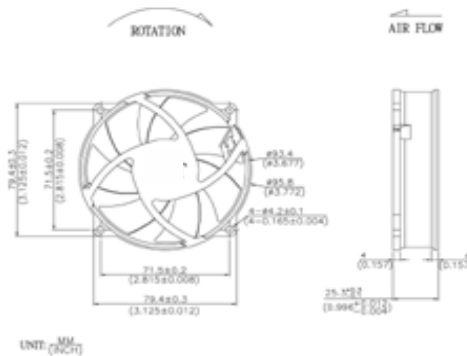
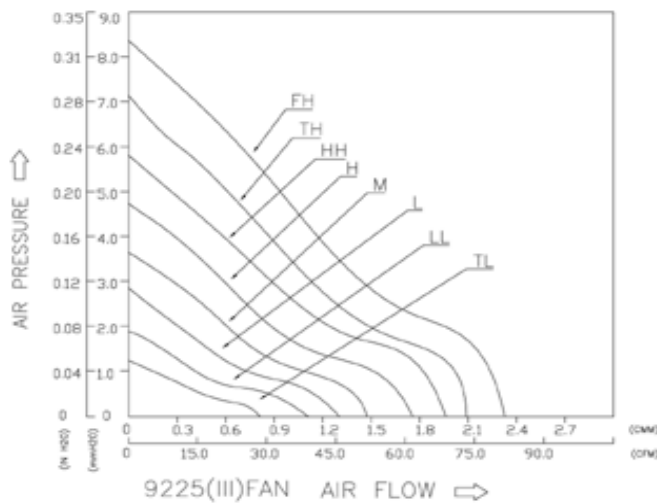


92 * 92 * 25 III mm



MODEL NO	RATED VOLTAGE V	OPERATING VOLTAGE V	RATED T A	ACTUAL CURRENT A	RATED POWER W	RATED SPEED RPM	MAX. AIR FLOW		MAX. STATIC AIR PRESSURE		NOISE LEVEL dBA
							CMM	CFM	mmH2O	InH2O	
9225TL12C/B-	12	9~13.8	0.16	0.07	1.92	1600	0.798	28.17	1.25	0.049	24.2
9225LL12C/B-	12	9~13.8	0.2	0.1	2.4	2000	1.039	36.69	1.91	0.075	28.2
9225L12C/B-	12	9~13.8	0.24	0.14	2.88	2400	1.229	43.39	2.74	0.108	32.8
9225M12C/B-	12	9~13.8	0.28	0.2	3.36	2800	1.45	51.22	3.71	0.146	37.5
9225H12C/B-	12	9~13.8	0.32	0.28	3.84	3200	1.659	58.6	4.74	0.187	41
9225HH12C/B-	12	9~13.8	0.45	0.43	5.4	3600	1.886	66.61	5.95	0.234	44.6
9225TH12C/B-	12	9~13.8	0.75	0.57	9	4000	2.093	73.9	7.26	0.286	47.5
9225FH12C/B-	12	9~13.8	1	0.78	12	4400	2.287	80.76	8.49	0.334	50

CHARACTERISTIC CURVE

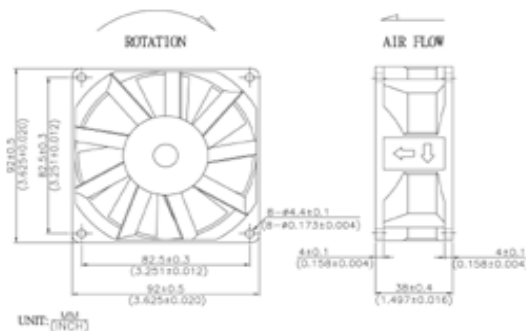
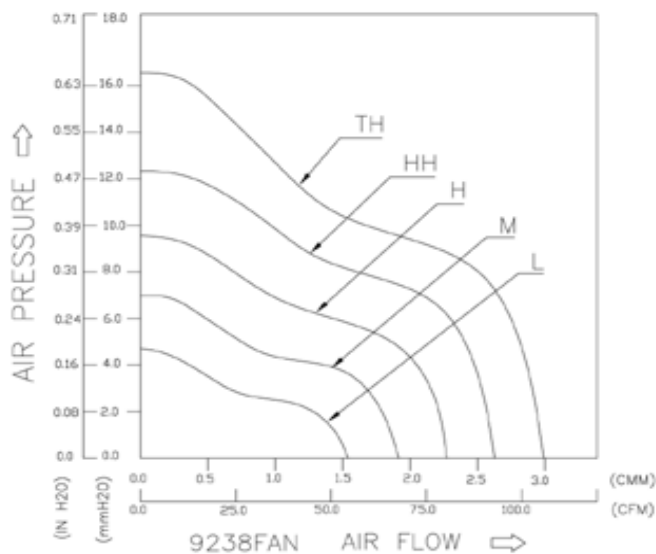


92 * 92 * 38 mm



MODEL NO	RATED VOLTAGE V	OPERATING VOLTAGE V	RATED CURRENT A	ACTUAL T A	RATED POWER W	RATED SPEED RPM	MAX. AIR FLOW		MAX. STATIC AIR PRESSURE		NOISE LEVEL dBA
							CMM	CFM	mmH2O	InH2O	
9238L12B-	12	9~13.8	0.25	0.19	3	2600	1.54	54.39	4.71	0.185	39
9238M12B-	12	9~13.8	0.4	0.33	4.8	3200	1.917	67.69	6.97	0.274	44.2
9238H12B-	12	9~13.8	0.6	0.49	7.2	3800	2.274	80.31	9.55	0.376	48.6
9238HH12B-	12	9~13.8	0.9	0.52	10.8	4400	2.628	92.81	12.33	0.485	52.1
9238TH12B-	12	9~13.8	1.3	1.13	15.6	5000	2.993	105.69	16.54	0.651	54.9
9238L24B-	24	20~27.6	0.15	0.12	3.6	2600	1.54	54.39	4.71	0.185	39
9238M24B-	24	20~27.6	0.25	0.15	6	3200	1.917	67.69	6.97	0.274	44.2
9238H24B-	24	20~27.6	0.45	0.27	10.8	3800	2.274	80.31	9.55	0.376	48.6
9238HH24B-	24	20~27.6	0.6	0.44	14.4	4400	2.628	92.81	12.33	0.485	52.1
9238TH24B-	24	20~27.6	0.9	0.7	21.6	5000	2.993	105.69	16.54	0.651	54.9
9238L48B-	48	40~52.8	0.08	0.06	3.84	2600	1.54	54.39	4.71	0.185	39
9238M48B-	48	40~52.8	0.12	0.09	5.76	3200	1.917	67.69	6.97	0.274	44.2
9238H48B-	48	40~52.8	0.18	0.15	8.64	3800	2.274	80.31	9.55	0.376	48.6
9238HH48B-	48	40~52.8	0.25	0.2	12	4400	2.628	92.81	12.33	0.485	52.1
9238TH48B-	48	40~52.8	0.4	0.32	19.2	5000	2.993	105.69	16.54	0.651	54.9

CHARACTERISTIC CURVE

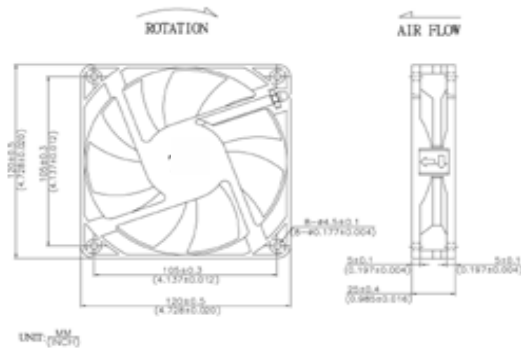
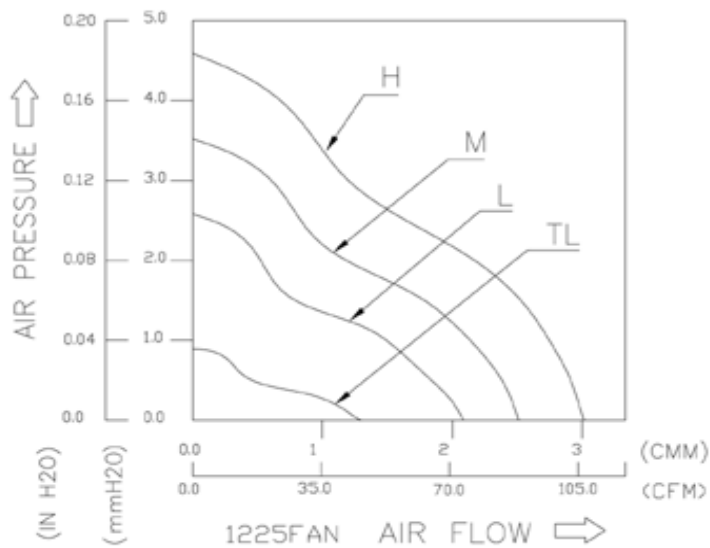


120 * 120 * 25 mm



MODEL NO	RATED VOLTAGE	OPERATING VOLTAGE	RATED CURRENT	ACTUAL CURRENT	RATED POWER	RATED SPEED	MAX. AIR FLOW		MAX. STATIC AIR PRESSURE		NOISE LEVEL
	V	V	A	A	W	RPM	CMM	CFM	mmH2O	InH2O	dBA
	1225TL12S/C/B/F-	12	9~13.8	0.1	0.05	1.2	1200	1.295	45.75	0.89	0.035
1225L12S/B/F	12	9~13.8	0.4	0.27	4.8	2000	2.086	73.67	2.58	0.102	35.9
1225L12S/B/F-	12	9~13.8	0.4	0.24	4.8	2000	2.086	73.67	2.58	0.102	35.9
1225M12S/B/F-	12	9~13.8	0.6	0.45	7.2	2400	2.511	88.68	3.52	0.139	40.9
1225H12S/B/F-	12	9~13.8	0.8	0.75	9.6	2800	3.015	106.49	4.59	0.181	45.3
1225L24S/B/F	24	20~27.6	0.2	NA	4.8	2000	2.086	73.67	2.58	0.102	35.9
1225L24S/B/F-	24	20~27.6	0.2	0.16	4.8	2000	2.086	73.67	2.58	0.102	35.9
1225M24S/B/F-	24	20~27.6	0.3	0.19	7.2	2400	2.511	88.68	3.52	0.139	40.9
1225H24S/B/F-	24	20~27.6	0.4	0.34	9.6	2800	3.015	106.49	4.59	0.181	45.3
1225L48S/B/F	48	40~52.8	0.15	NA	7.2	2000	2.086	73.67	2.58	0.102	35.9
1225L48S/B/F-	48	40~52.8	0.15	0.08	7.2	2000	2.086	73.67	2.58	0.102	35.9
1225M48S/B/F-	48	40~52.8	0.2	0.13	9.6	2400	2.511	88.68	3.52	0.139	40.9
1225H48S/B/F-	48	40~52.8	0.25	0.18	12	2800	3.015	106.49	4.59	0.181	45.3

CHARACTERISTIC CURVE



120 * 120 * 38 mm



MODEL NO	RATED	OPERATING	RATED	ACTUAL	RATED	RATED	MAX.		MAX. STATIC		NOISE
	VOLTAGE	VOLTAGE	CURRENT	CURRENT	POWER	SPEED	AIR FLOW		AIR PRESSURE		LEVEL
	V	V	A	A	W	RPM	CMM	CFM	mmH2O	InH2O	dBA
1238L12S/B/F-	12	9~13.8	0.5	0.28	6	2000	2.412	85.18	3.89	0.153	37.9
1238M12S/B/F-	12	9~13.8	0.7	0.46	8.4	2400	3.051	107.73	5.37	0.211	42.3
1238H12S/B/F-	12	9~13.8	0.9	0.85	10.8	2800	3.713	131.12	6.89	0.271	46.5
1238HH12S/B/F-	12	9~13.8	1.5	1.29	18	3200	4.254	150.24	8.49	0.334	48.5
1238L24S/B/F-	24	20~27.6	0.3	0.18	7.2	2000	2.412	85.18	3.89	0.153	37.9
1238M24S/B/F-	24	20~27.6	0.4	0.21	9.6	2400	3.051	107.73	5.37	0.211	42.3
1238H24S/B/F-	24	20~27.6	0.5	0.45	12	2800	3.713	131.12	6.89	0.271	46.5
1238HH24S/B/F-	24	20~27.6	0.7	0.57	16.8	3200	4.254	150.24	8.49	0.334	48.5
1238L48S/B/F-	48	40~52.8	0.2	0.08	9.6	2000	2.412	85.18	3.89	0.153	37.9
1238M48S/B/F-	48	40~52.8	0.3	0.15	14.4	2400	3.051	107.73	5.37	0.211	42.3
1238H48S/B/F-	48	40~52.8	0.4	0.24	19.2	2800	3.713	131.12	6.89	0.271	46.5
1238HH48S/B/F-	48	40~52.8	0.5	0.31	24	3200	4.254	150.24	8.49	0.334	48.5

CHARACTERISTIC CURVE

