



Standard Parts Numbers & Order Code

3 7 0 1 A 0 0 0

Position 1 – 4: Base Heatsink
Base Heatsink 4digits Part Number

Position (5) : Type Of Finishing

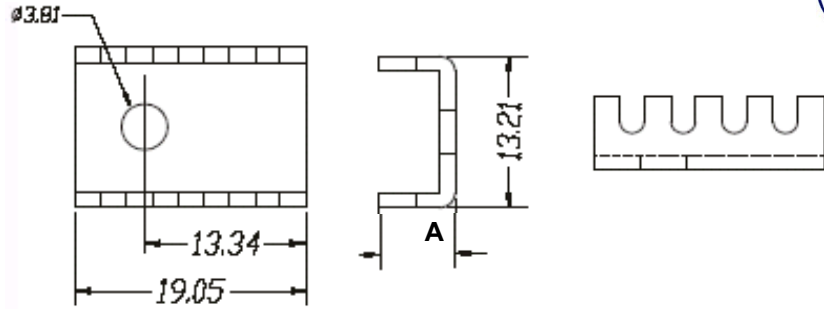
- A - Black Anodizing
- B - Blue Anodizing
- C - Clear Anodizing
- Y - Yellow Anodizing
- G - Green Anodizing
- R - Red Anodizing
- S - Silver Anodizing
- P - Pre-anodizing
- D - Gold Chromate
- L - Clear Chromate
- E - Green Chromate
- M - Mill Finish
- W - Wash / Degrease
- T - Tin Plating
- N - Nickel Plating

Position (6) – (8) : Type Of Attachment

Start from Position (6), follow-by numbering in position (7) & (8)

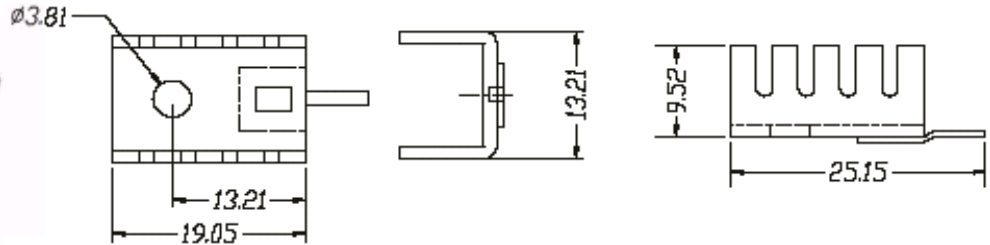
- 0 - Nothing
- 1 - Wave-on Mount, Stud
- 2 – Soldering Pin series
- 3 – Soldering Tab series
- 4,7 – Double Side Tape, Interface Material
- 5 – More than one attachment component, others
- 8 – Clip & Mechanical Pins
- 9 – Insulator
- TR – Tape & Reel Packing

TO-202, 218, 220 STAMP HEATSINK

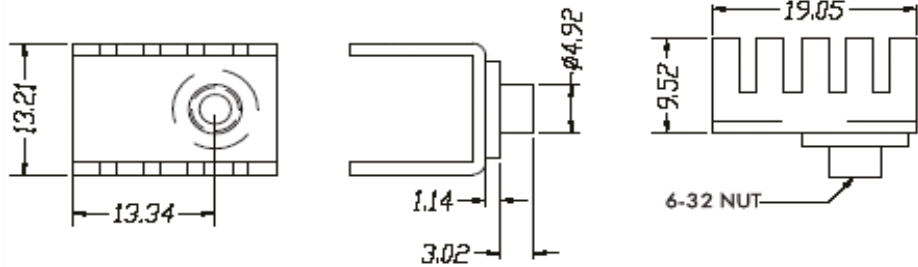


Part No	"A"
3770A000	6.35
3771A000	9.52
3772A000	12.7

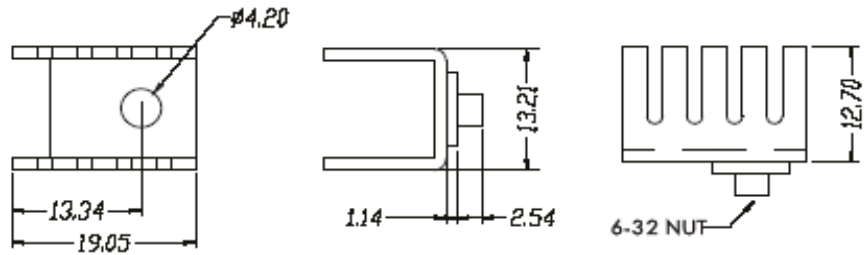
3771A390



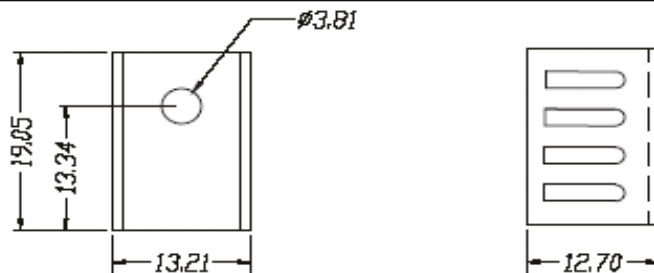
3771A082



3774A905


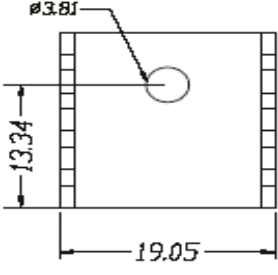
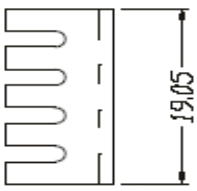


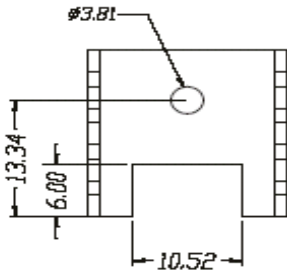
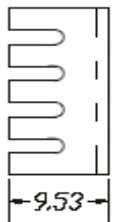
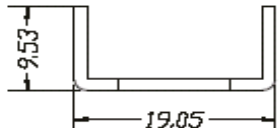

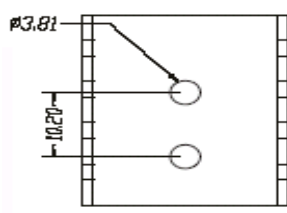
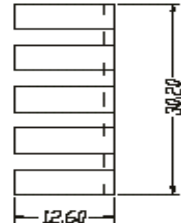
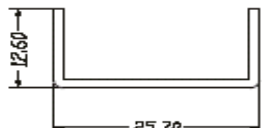

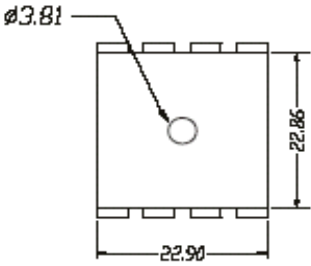
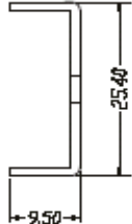
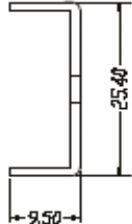

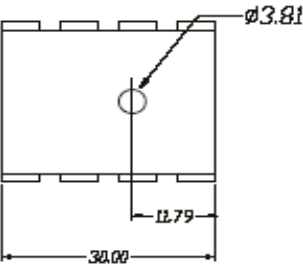
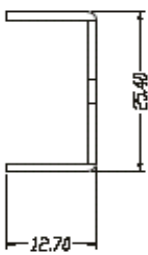
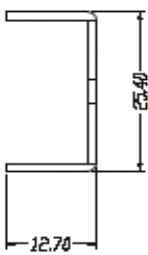

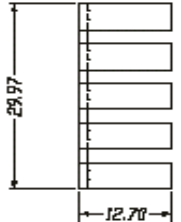
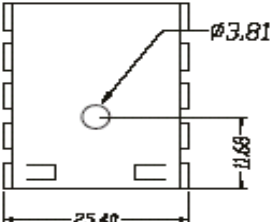



4079A000



TO-202, 218, 220 STAMP HEATSINK

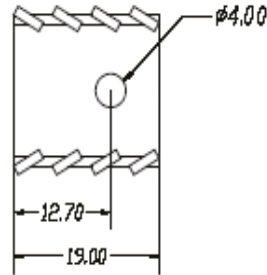
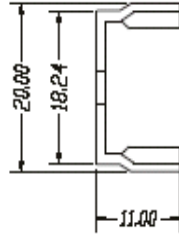


<p>3073A000</p> 			
<p>4273A000</p> 			
<p>3306A000</p> 			
<p>3760A000</p> 			
<p>3307A000</p> 			
<p>4109A000</p> 			

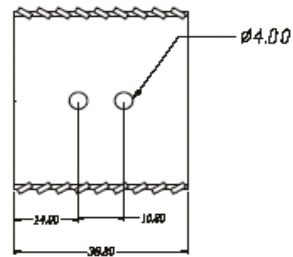
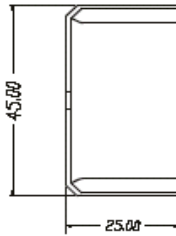
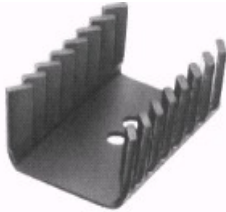
TO-202, 218, 220 STAMP HEATSINK



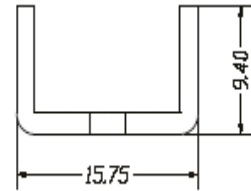
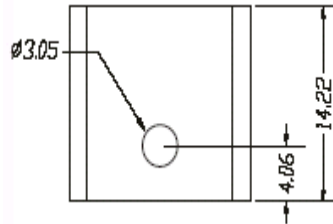
1100A000



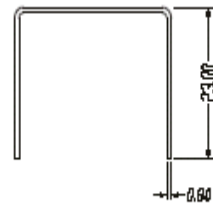
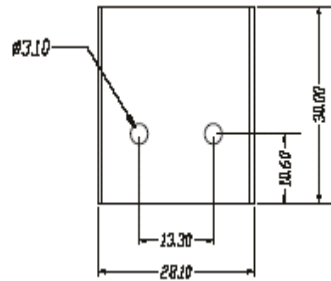
1005A000



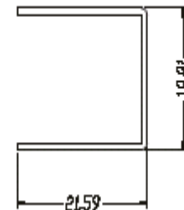
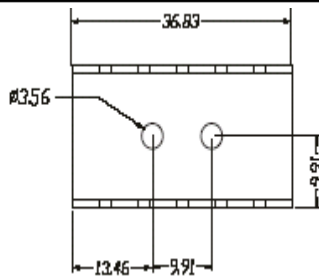
8310A000



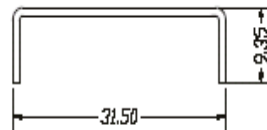
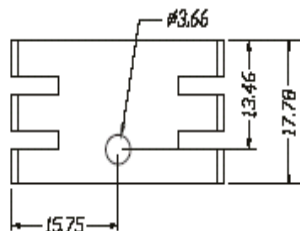
8311A000



3042A000



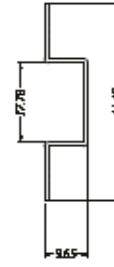
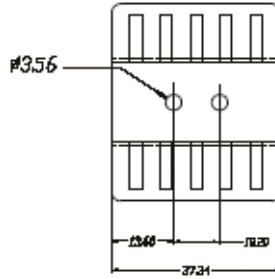
8315A000



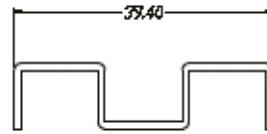
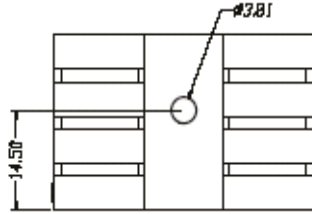
TO-202, 218, 220 STAMP HEATSINK



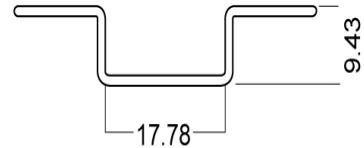
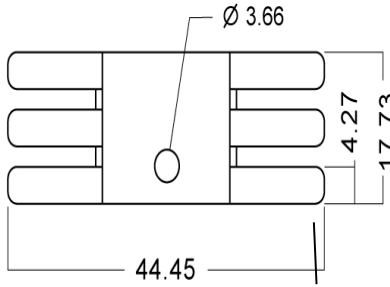
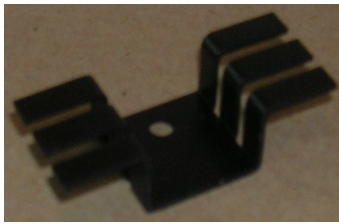
4072A000



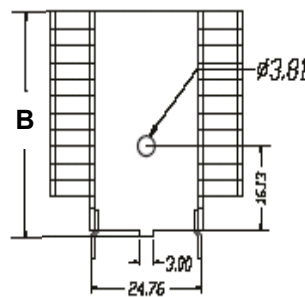
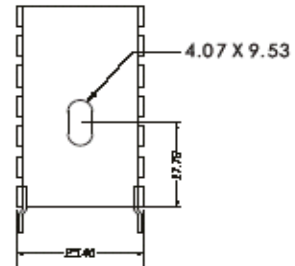
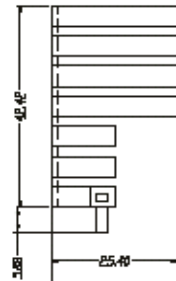
5109A000



3070A000



3901A336

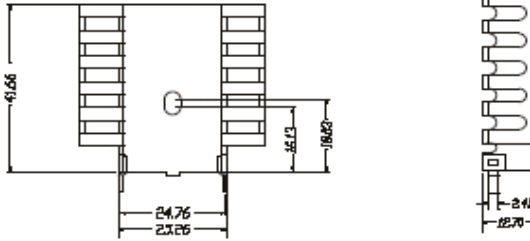


Part No	A	B
3931A336	41.66	42.68
EGT1202	33.53	34.55

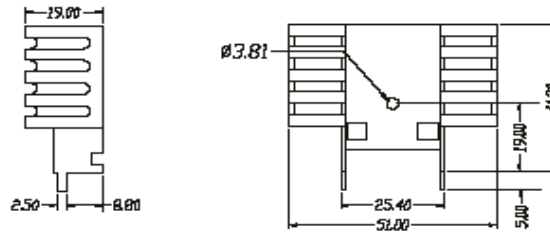
TO-202, 218, 220 STAMP HEATSINK



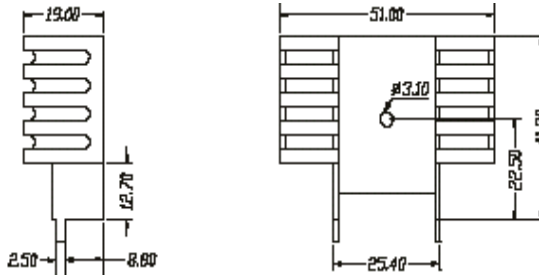
1012A336



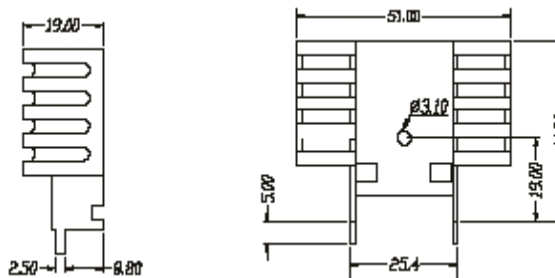
83111220



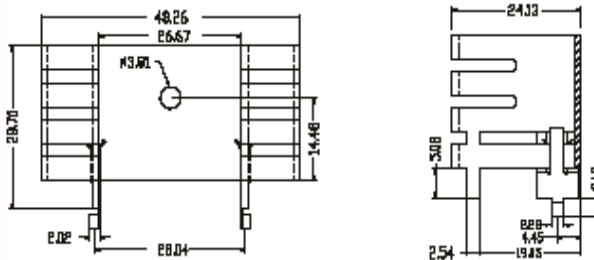
5024A000



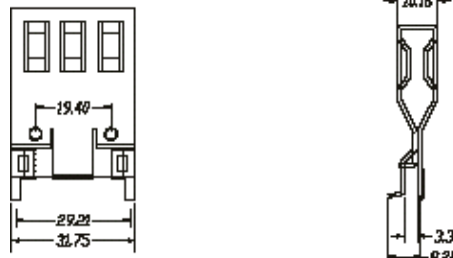
1184A000



5025A397



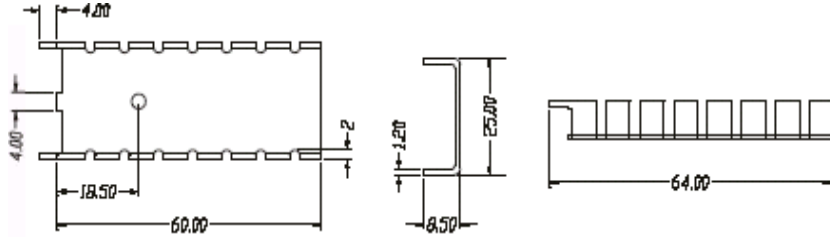
3840A325



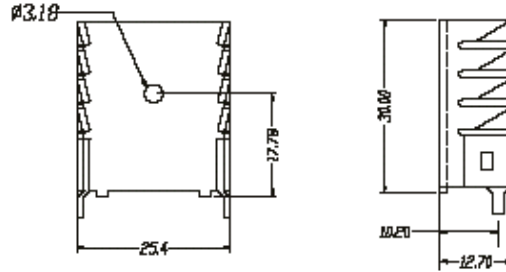
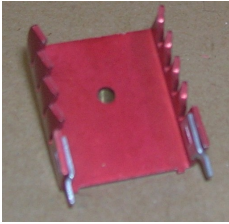
TO-202, 218, 220 STAMP HEATSINK



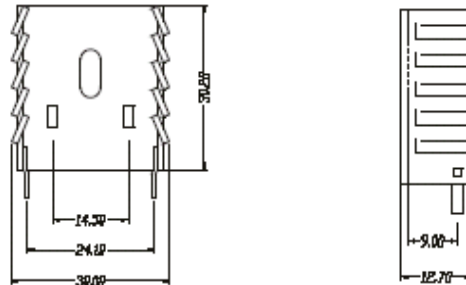
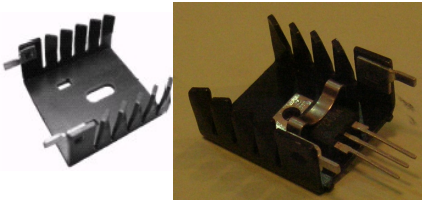
8317A000



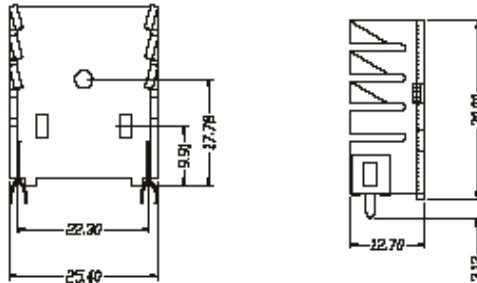
3930A324



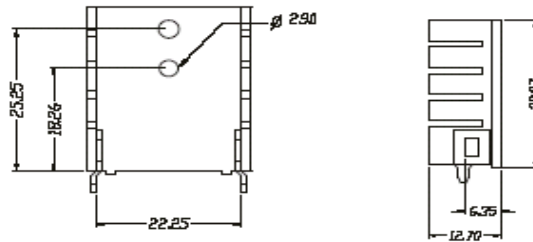
4216A325/4216A825 (with clip)



3942A318/3342A818 (with clip)



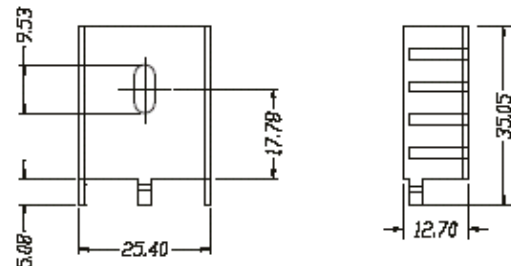
3931A324



4030A000 / 4030A094



4030A094 --
TINNED TABS.

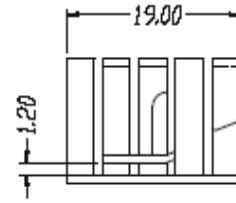
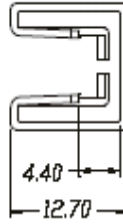
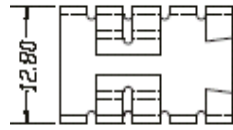


TO-202, 218, 220 STAMP HEATSINK,

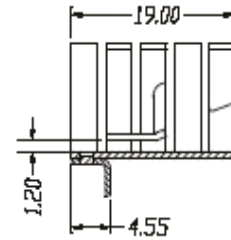
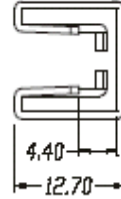
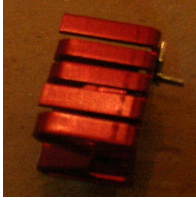
EFFICIENT QUICK INSTALLTION & MAXISE THERMAL CONDUCTIVITY



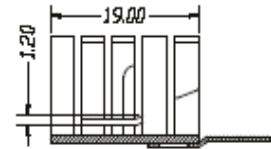
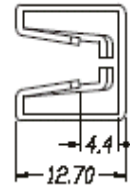
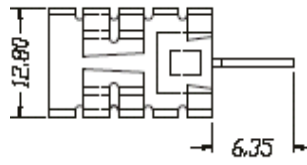
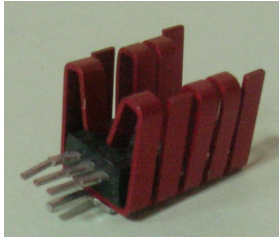
3768A000



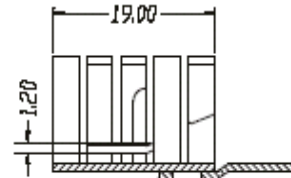
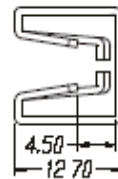
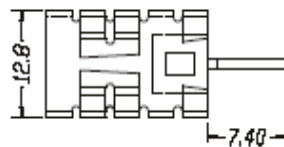
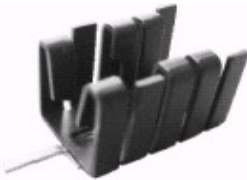
3768A321



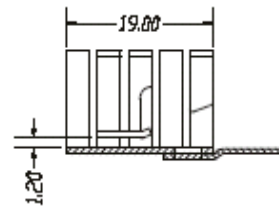
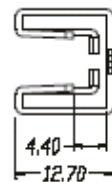
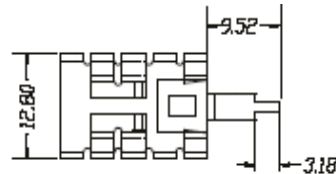
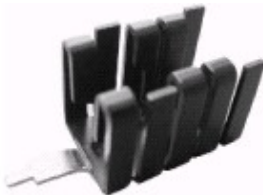
3768A390



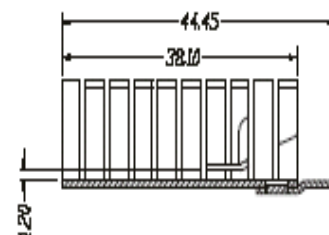
3768A092



3768A391



3739A390

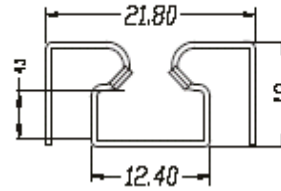
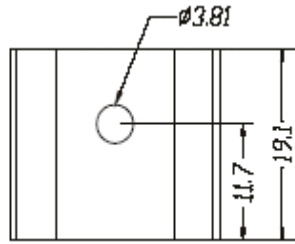
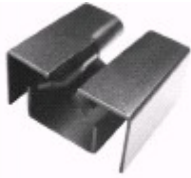


TO-202, 218, 220 STAMP HEATSINK,

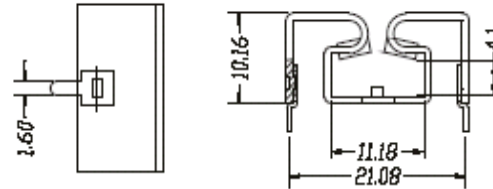
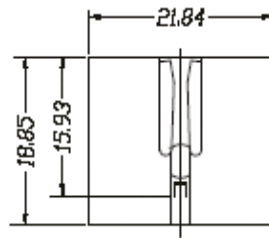
EFFICIENT QUICK INSTALLTION & MAXISE THERMAL CONDUCTIVITY



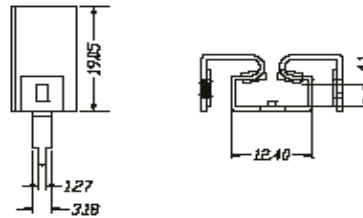
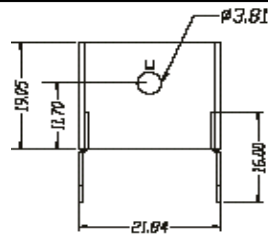
3745A000



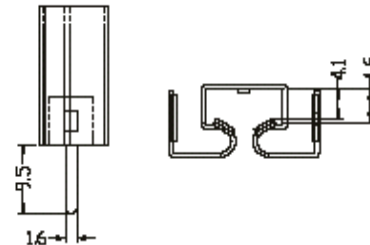
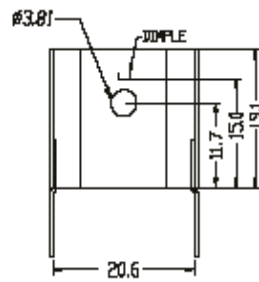
3744A322



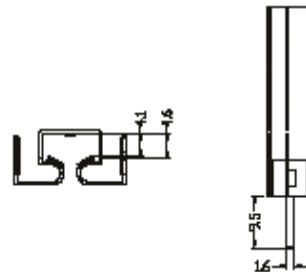
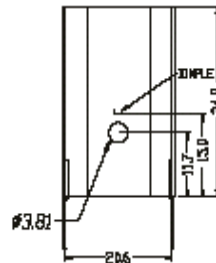
3745A391



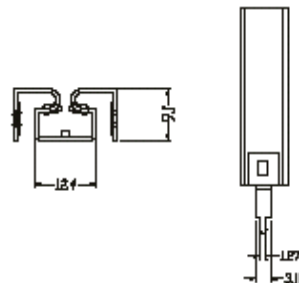
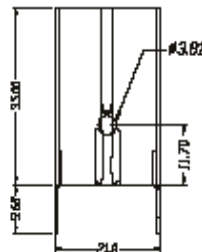
3745A323



3749A323



3749A391

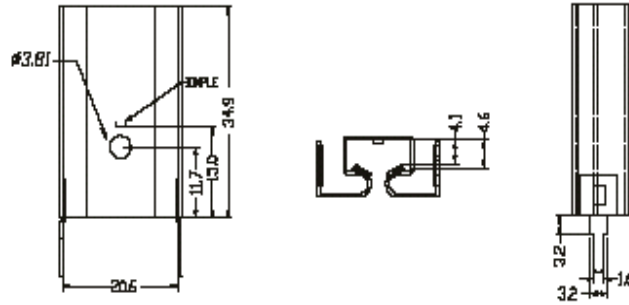


TO-202, 218, 220 STAMP HEATSINK,

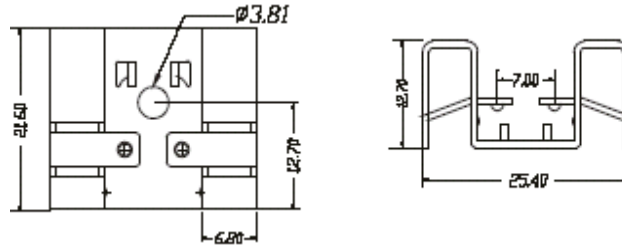
EFFICIENT QUICK INSTALLTION & MAXISE THERMAL CONDUCTIVITY



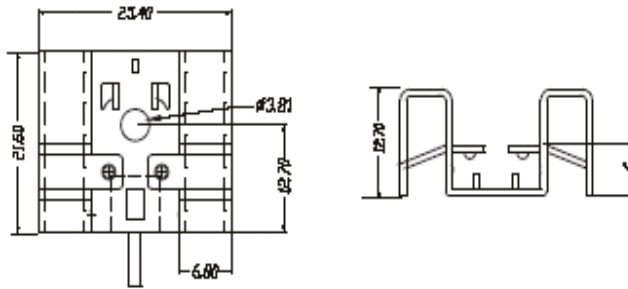
3745A327



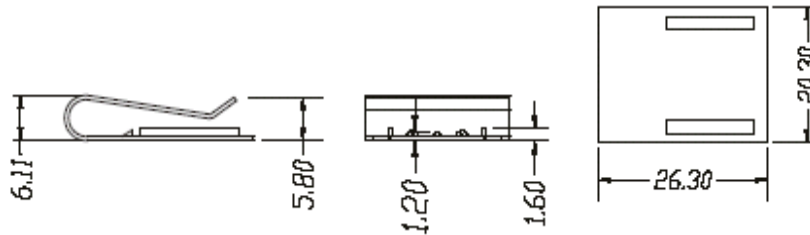
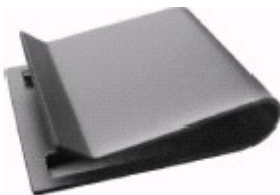
3669A000



3669A390



4043A000



1017A000

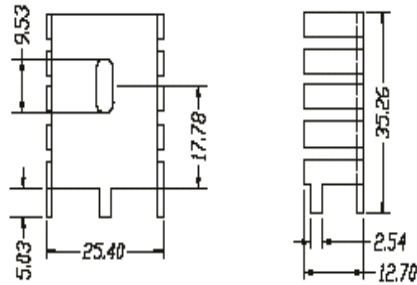
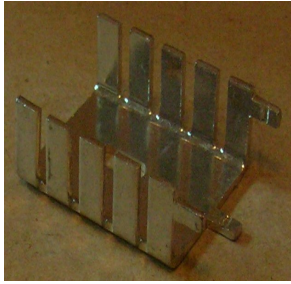
Size: 24.0 x 10.5 x 5.5mm



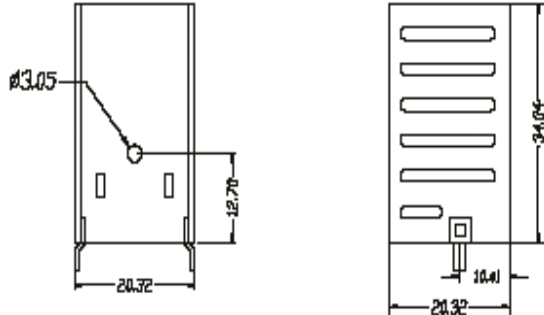
TO-202, 218, 220 STAMP HEATSINK



3630A000/3630A094(TINNED TAB)

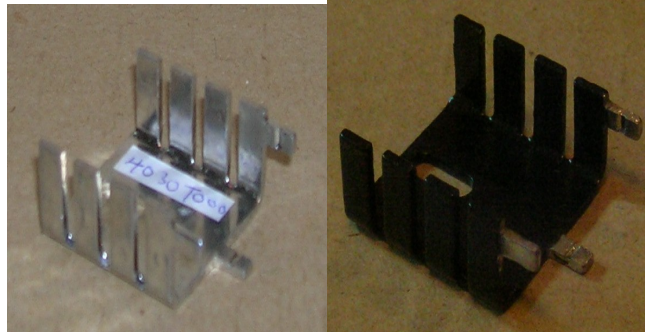


3042A336

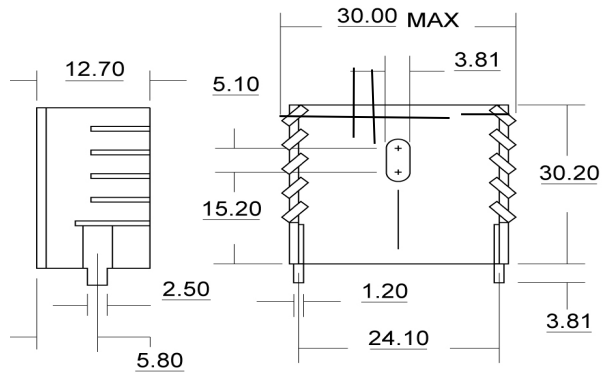


4030A000/4030A094

Size: 25.40 x 29.97 x 12.70mm

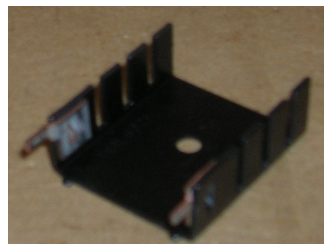


ET1505



4021A324

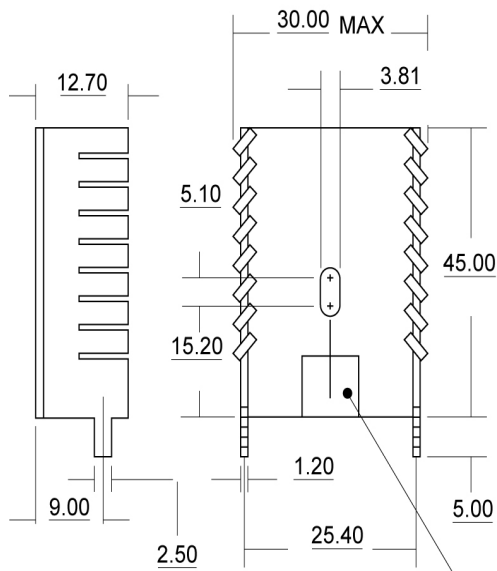
Size: 25.40 x 29.97 x 12.70mm



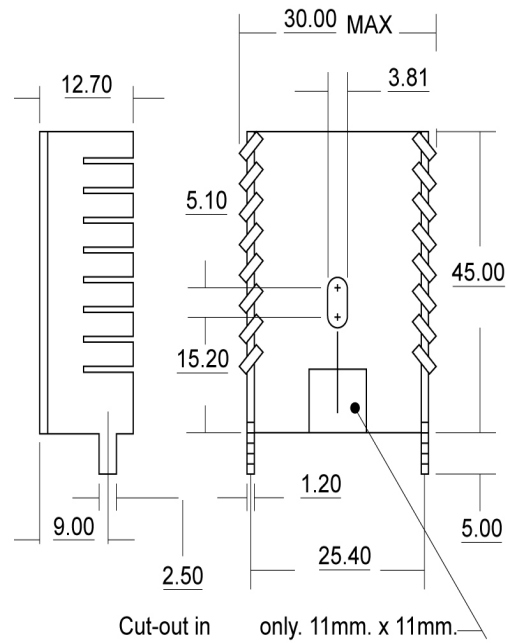
TO-202, 218, 220 STAMP HEATSINK



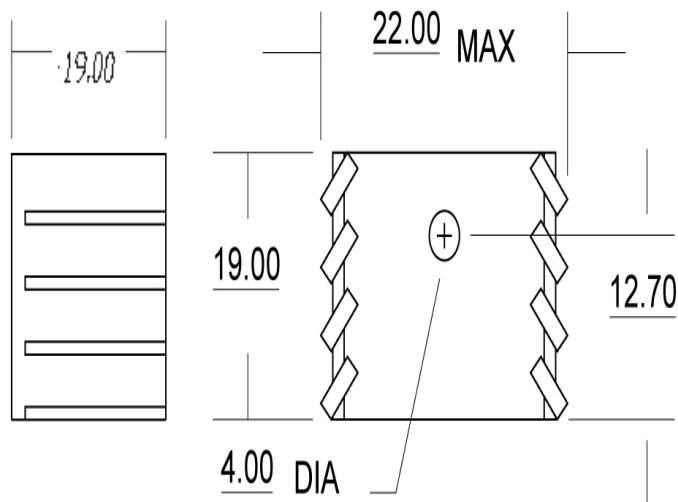
10065A000/ ET0065



10071A000/ ET0071



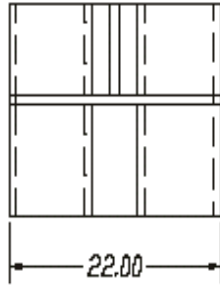
1004A000/ ET0004



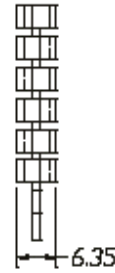
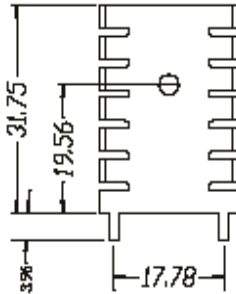
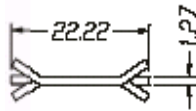
TO-218, 220 COPPER STAMP HEATSINK



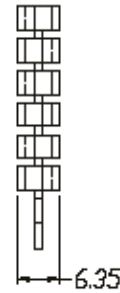
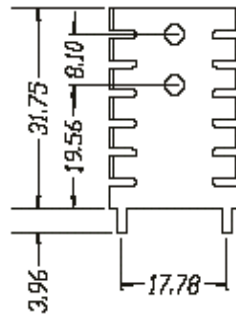
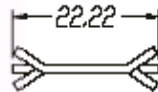
3745T327



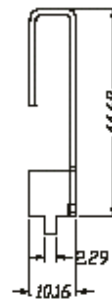
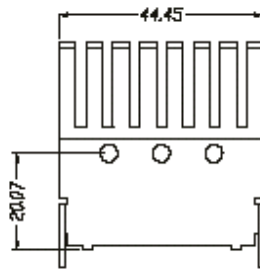
4025T000



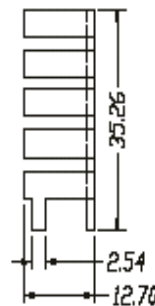
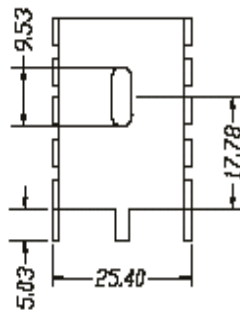
3747T000



4263T094



4030T00



TO-218, 220 COPPER STAMP HEATSINK

EFFICIENT QUICK INSTALLTION & MAXISE THERMAL CONDUCTIVITY



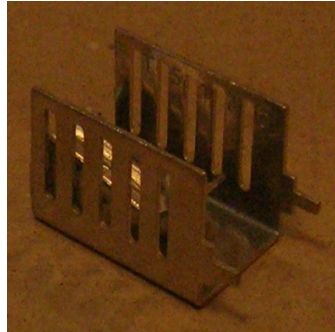
5128T000

Size: 22.00X26.42x9.52mm



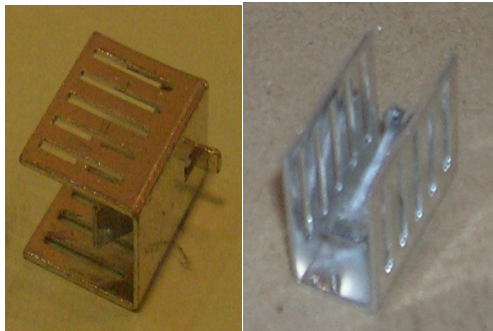
5136T000

Size: 13.21X19.8x12.95mm



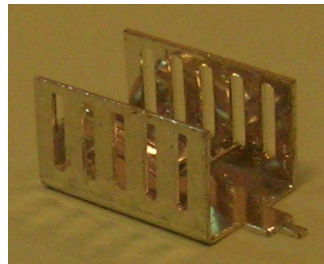
5139T000

Size: 13.21X19.8x12.95mm

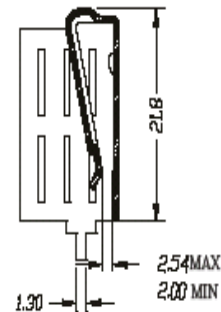
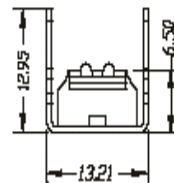
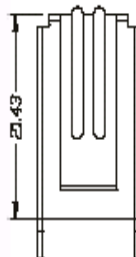


5141T000

Size: 13.21x19.81x13.08mm



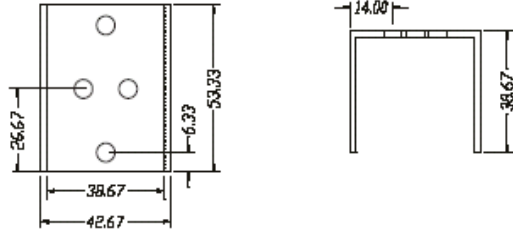
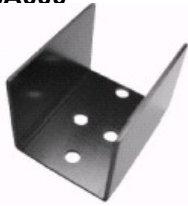
7136T000



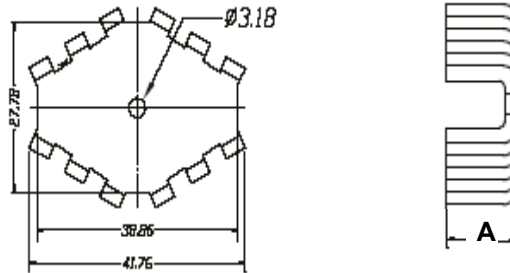
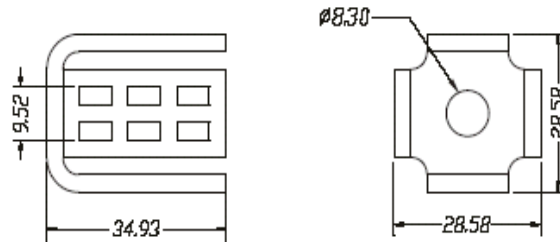
TO-3 HEATSINKS



8316A000

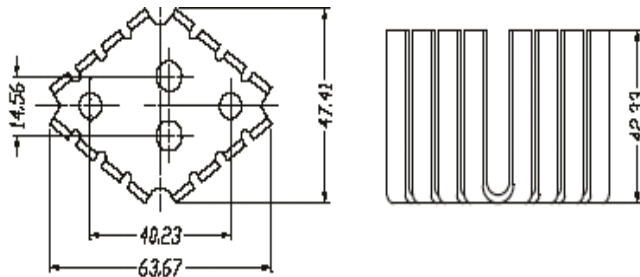


4224A000



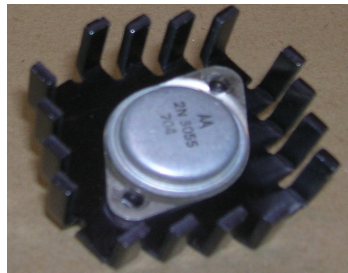
Part No	A
3756A000	12.70
3757A000	19.05
3758A000	25.40
3758A000	31.75

1052A000



3001A000

Size: 45.97 x 45.97 x 12.5mm

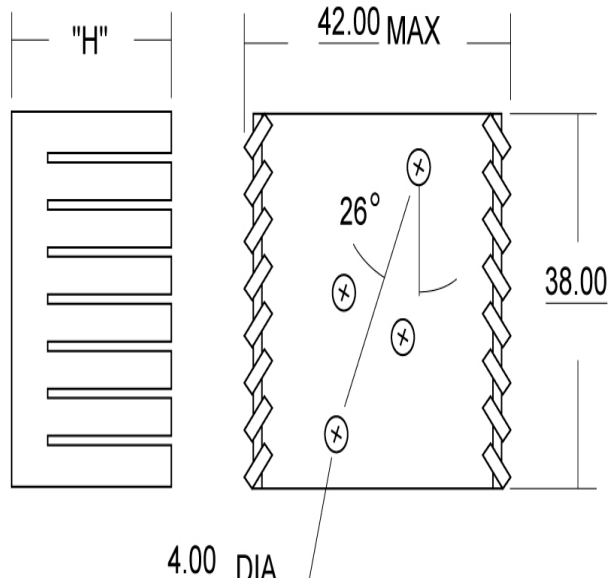


* To contact EcoGreen Technologies (S) Pte Ltd for more information.

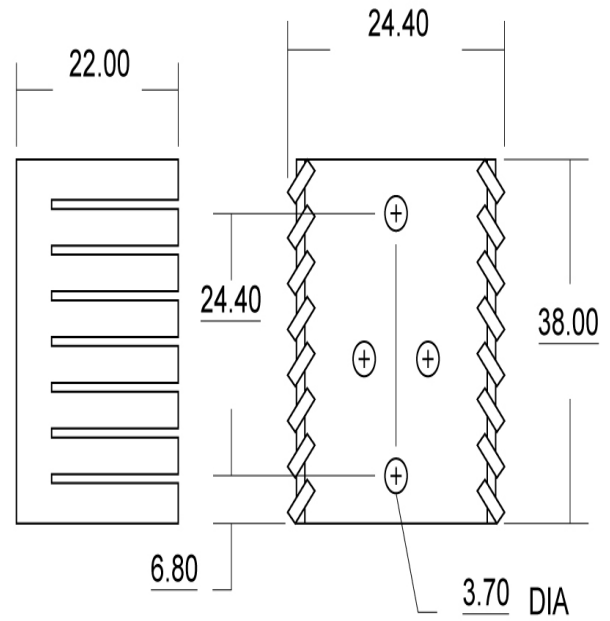
TO-3 HEATSINKS



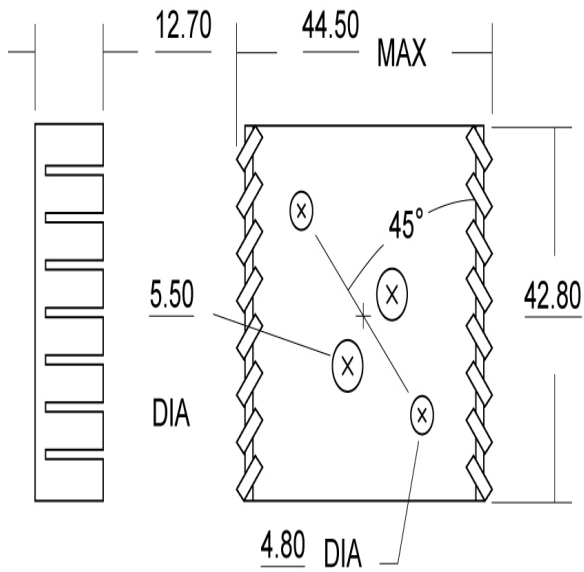
1003A000/ET03



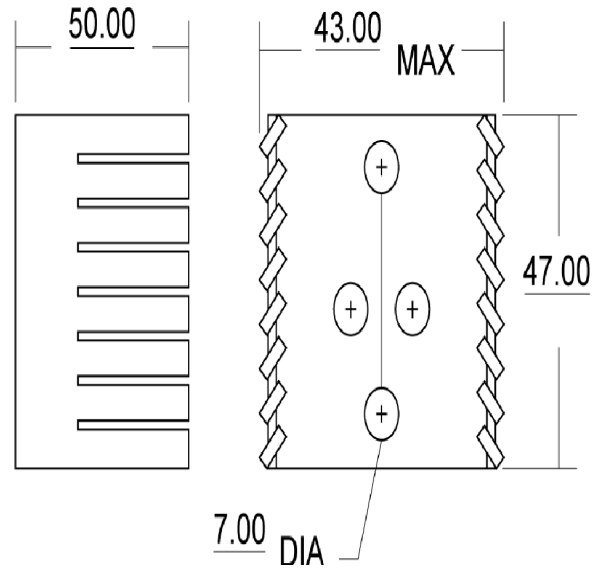
1002A000/ET02



1017A000/ET17



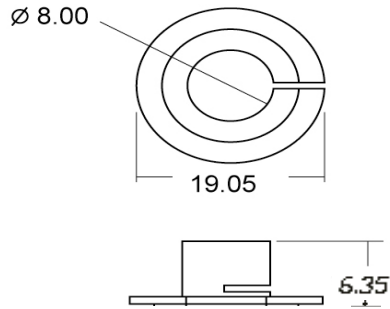
1066A000/ET66



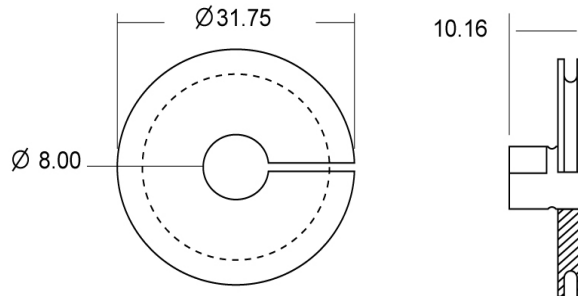
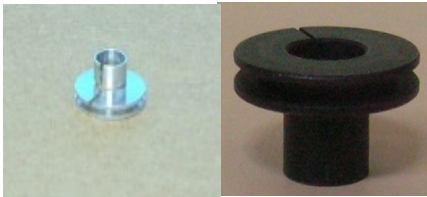
TO-5 HEATSINKS



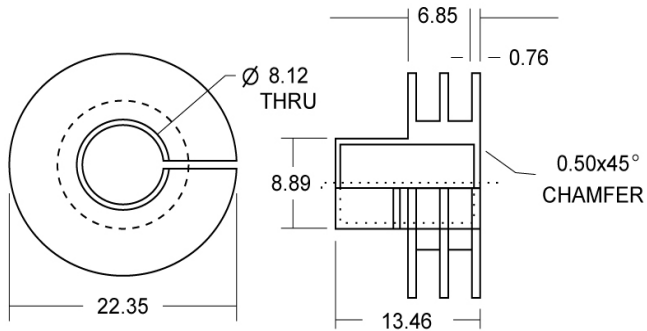
8226A000 (1 outer ring)



8227A000 (2 outer rings)



85228A000



8257A000

Size: Dia.12.70 x Height 6.35mm

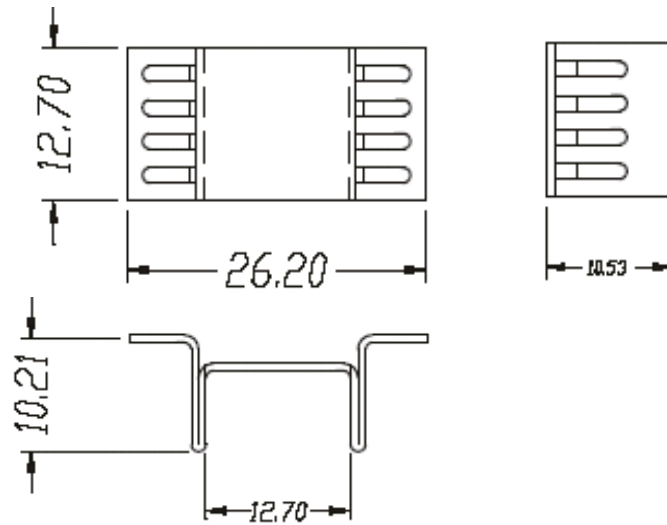


SMT HEATSINK

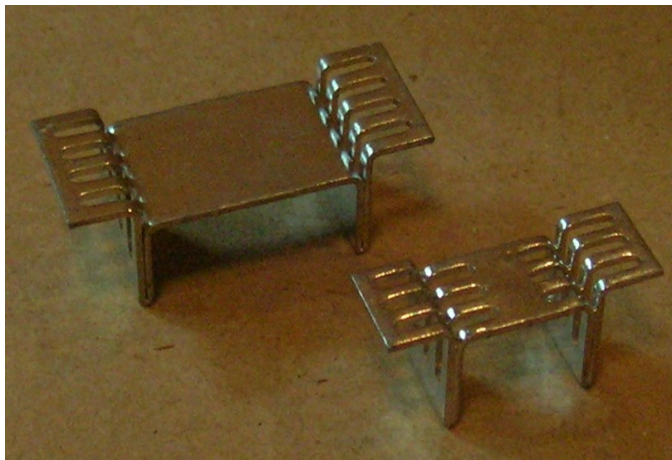
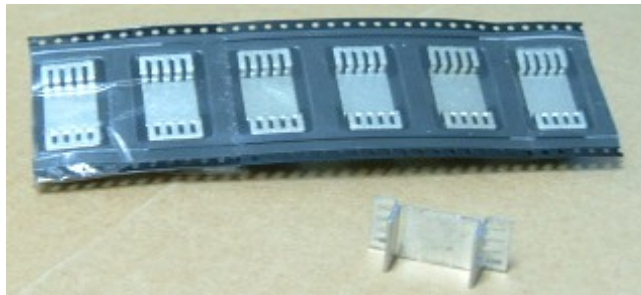


3733T000

TO-263



3733T0TR (Tape & Reel Packing)



TO-252

3731T000

(Size: 23 X 8 X 10.2mm)

TO-268

3734T000

(Size: 31 X 12.7 X 10.2mm)

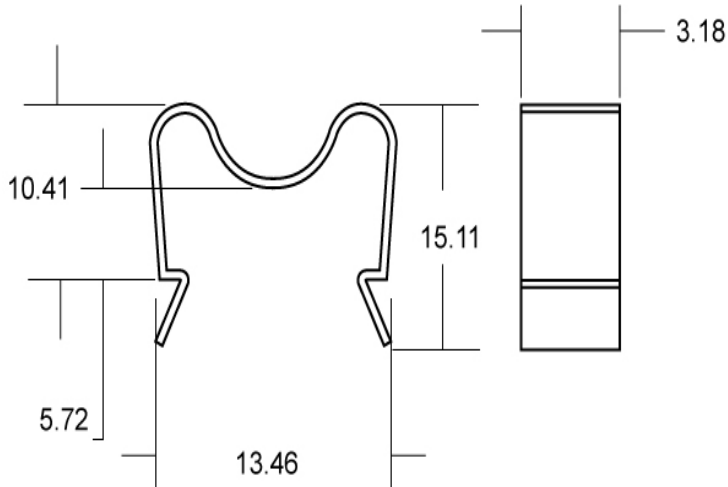
* Optional Packing: Tape & Reel

CLIPS for EASY INSTALLATION:

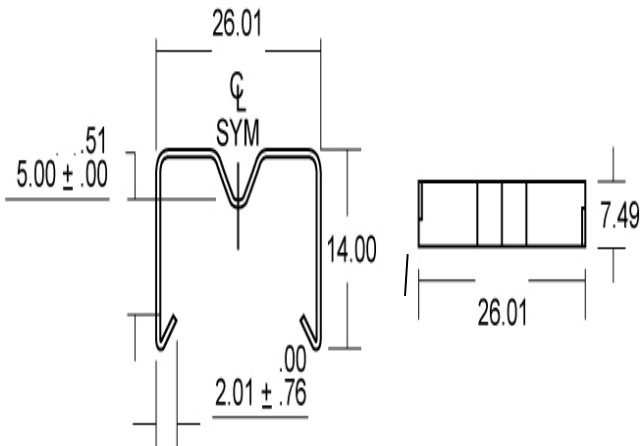


Clips Available for TO-220, TO218 Heat Sink Installation, providing time and cost saving in assembly.

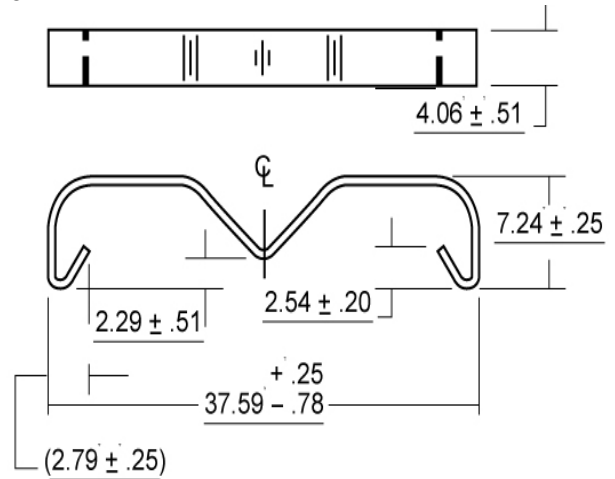
#82



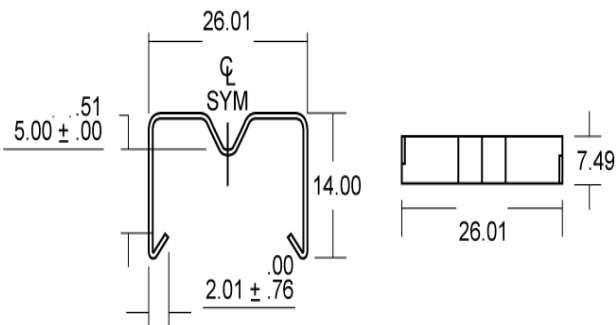
#86



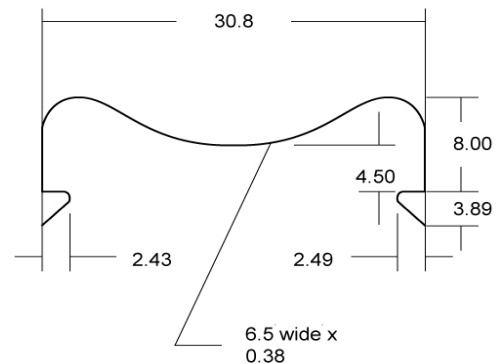
#84



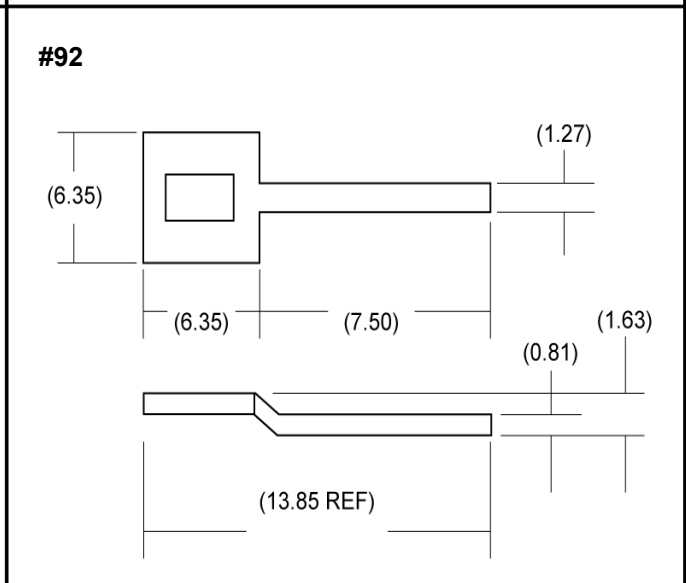
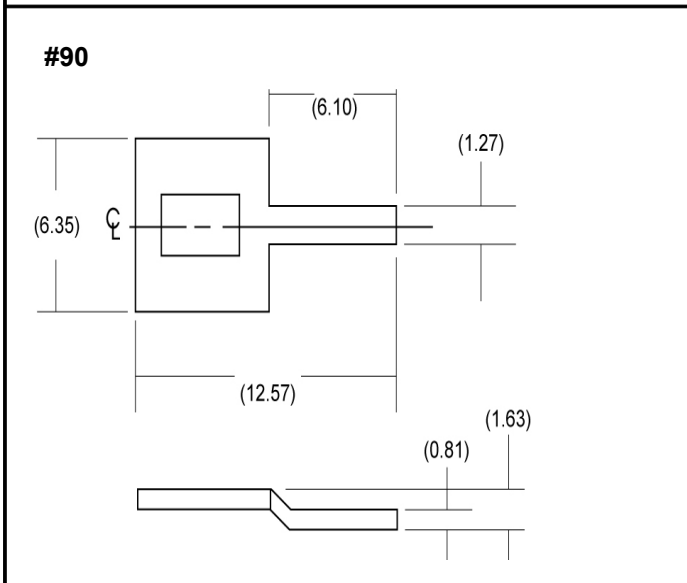
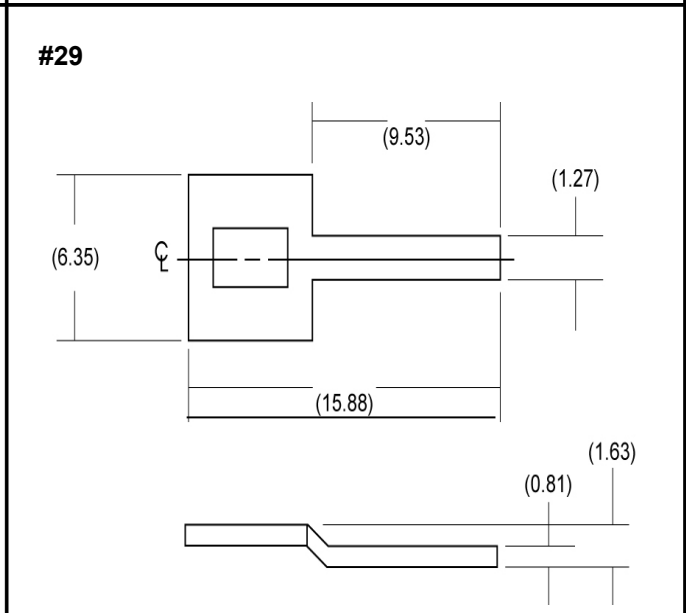
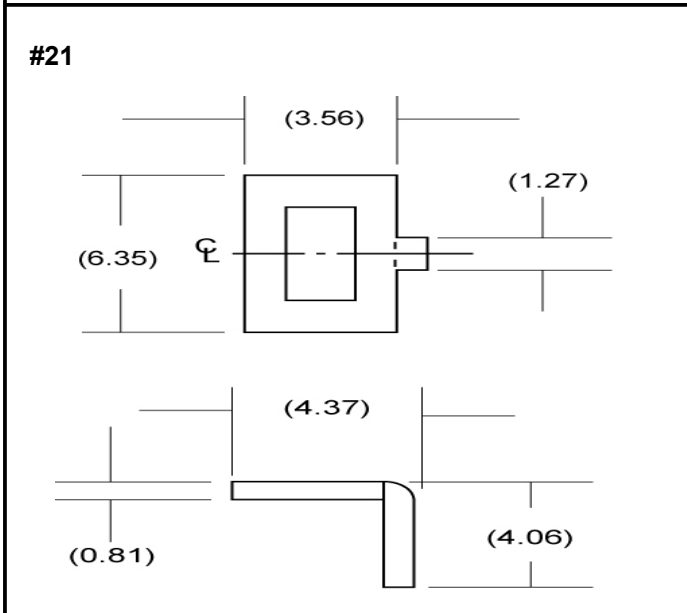
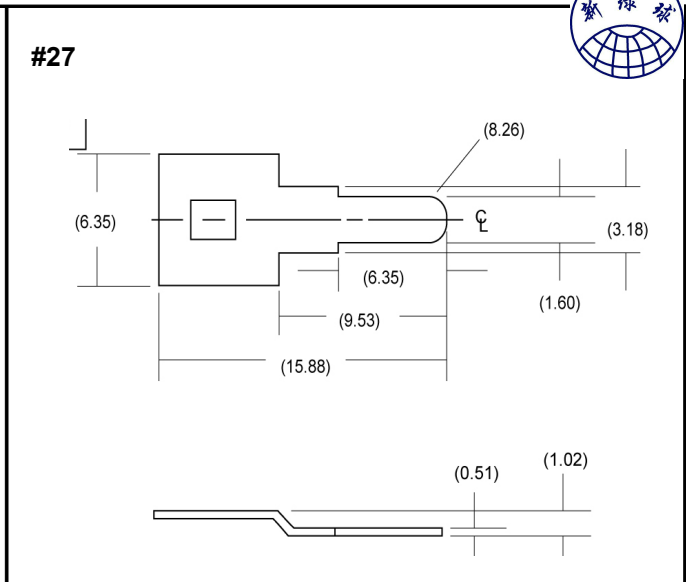
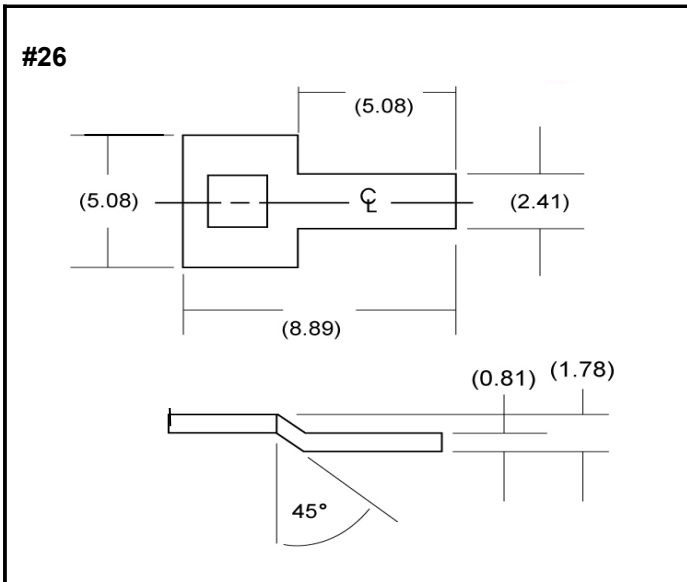
#83



#80



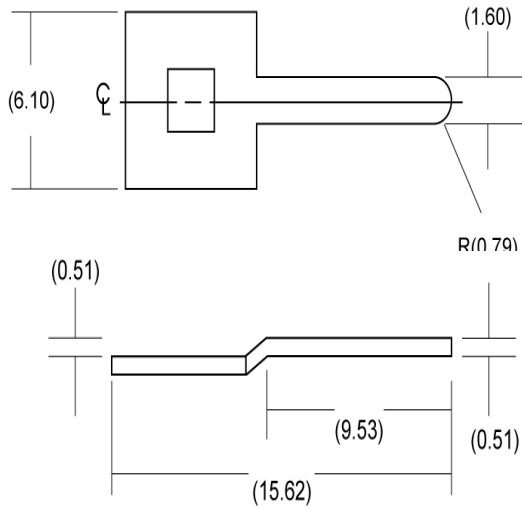
ACCESSORIES - SOLDERING TABS



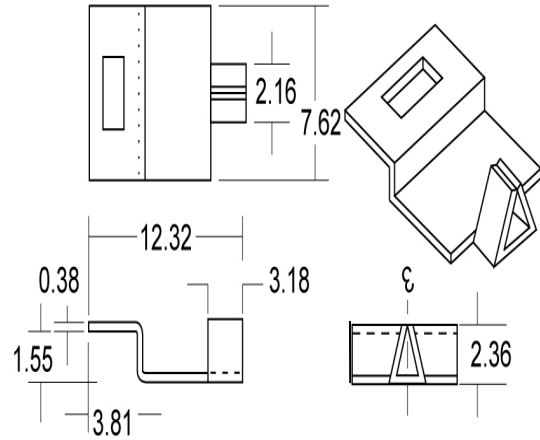
ACCESSORIES - SOLDERING TABS



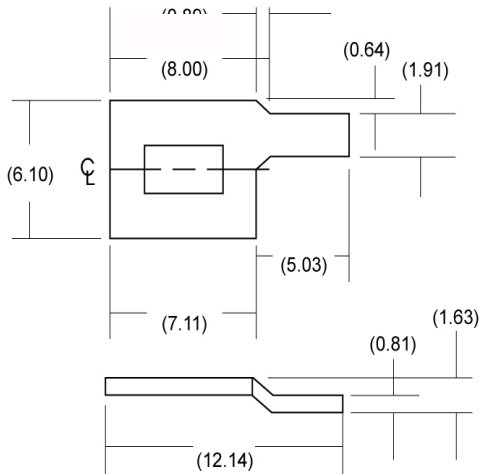
#23



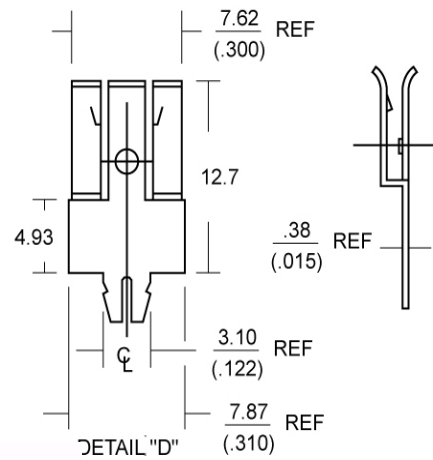
#20



#24



#97



#91

